

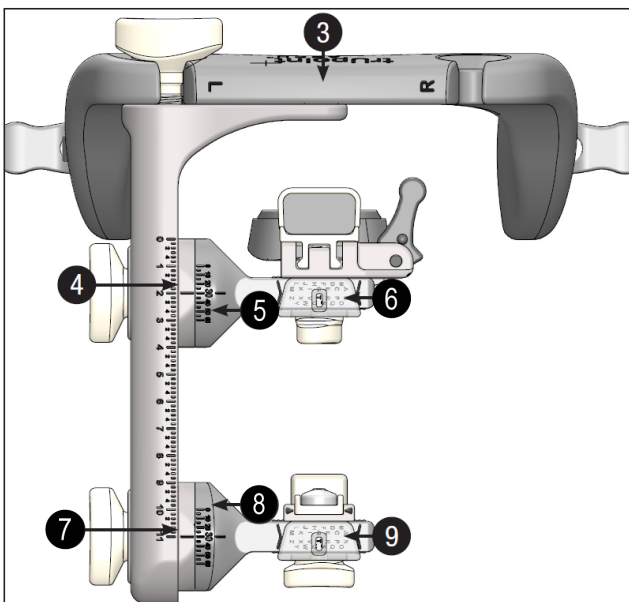
CIVCO Set-up Sheet

trUpoint ARCH

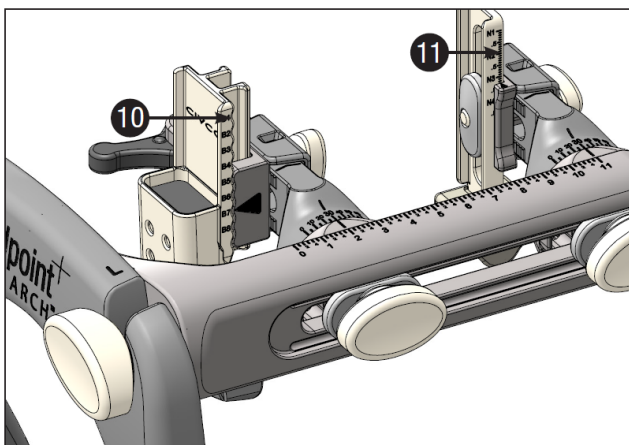


Patient: _____ Date: _____

Notes: _____



- 1. Baseplate Used:
- 2. Head Rest Used:
- 3. Lateral Position
R L
- 4. Bite Assembly Longitudinal Position
0 | 2 | 4 | 1 | 2 | 4 | 2 | 2 | 4 | 3 | 2 | 4 | 4 | 2 | 4 | 5 | 2 | 4 |
6 | 2 | 4 | 7 | 2 | 4 | 8 | 2 | 4 | 9 | 2 | 4 | 10 | 2 | 4 | 11
- 5. Bite Assembly Rotation
0 5 10 15 20 25 30 35 40 45 50 55 60
- 6. Bite Assembly Lateral Position
A B C D E F G H I J K L M N O P Q R S T U V W X Y Z



- 7. Nasion Assembly Longitudinal Position
0 | 2 | 4 | 1 | 2 | 4 | 2 | 2 | 4 | 3 | 2 | 4 | 4 | 2 | 4 | 5 | 2 | 4 |
6 | 2 | 4 | 7 | 2 | 4 | 8 | 2 | 4 | 9 | 2 | 4 | 10 | 2 | 4 | 11
- 8. Nasion Assembly Rotation
0 5 10 15 20 25 30 35 40 45 50 55 60
- 9. Nasion Assembly Lateral Position
A B C D E F G H I J K L M N O P Q R S T U V W X Y Z
- 10. Bite Assembly Vertical Position
B1 B2 B3 B4 B5 B6 B7 B8
- 11. Nasion Assembly Vertical Position
N15 N25 N35 N45