

# Set-up Sheet - Fixator™ Shoulder Suppression System, MTCFHN006

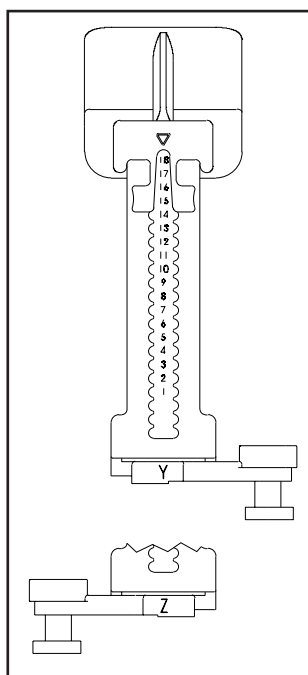
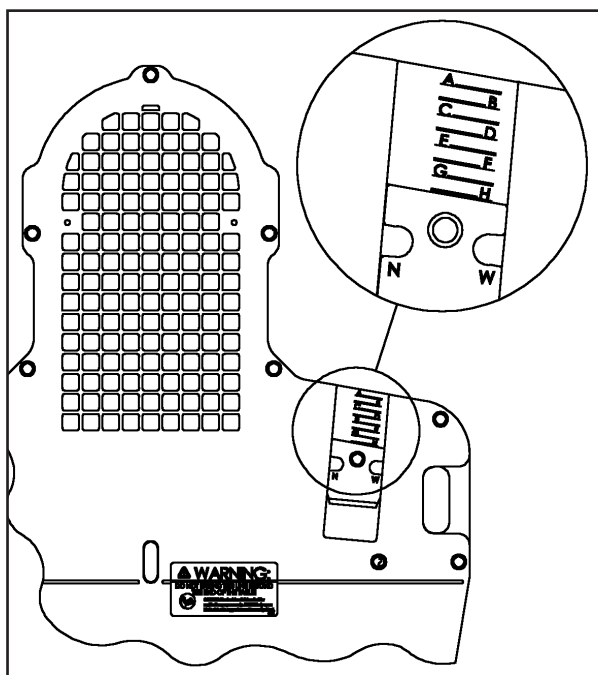
Patient: \_\_\_\_\_

Date: \_\_\_\_\_

Notes: \_\_\_\_\_

1. The Lok-Bar™ is indexed to the table at (i.e. H1, F2): \_\_\_\_\_

2. Cup Position (select N or W, Y or Z (note: Y & Z option is not available on all shoulder cups), one letter and one number for each side)



Right		Left	
N	W	N	W
Y	Z	Y	Z
1	A	1	A
2	B	2	B
3	C	3	C
4	D	4	D
5	E	5	E
6	F	6	F
7	G	7	G
8	H	8	H
9	I	9	I
10	J	10	J
11	K	11	K
12	L	12	L
13		13	
14		14	
15		15	
16		16	
17		17	
18		18	

Global Sales Office  
 Orange City, Iowa, USA  
 800.842.8688 | +1 712.737.8688

info@CivcoRT.com  
 www.CivcoRT.com

