

CIVCO RT Set-up Sheet



Body Pro-Lok ONE™ Rails-Only for Varian Exact® Indexing on IGRT Couchtops and CT Overlays

Patient:

Date:

Notes:

Important instructions, please read:

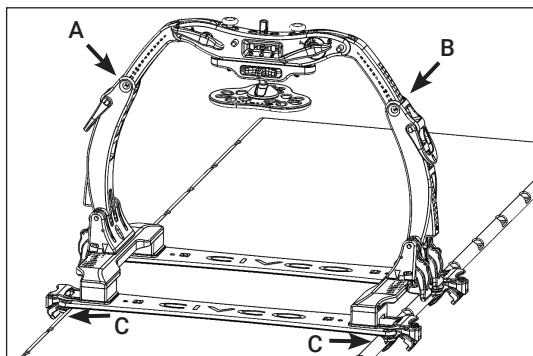
When transferring a setup from the Universal Couchtop™ or ONEPlatform™ to the Body Pro-Lok ONE Rails-Only System, the ONEBridge™ must be adjusted and set 50 mm lower than on the Universal Couchtop or ONEPlatform.



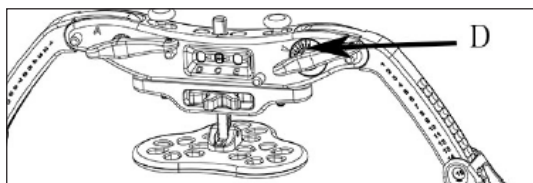
Rails-Only System

1 Rails-Only device is indexed to table at: _____ and _____

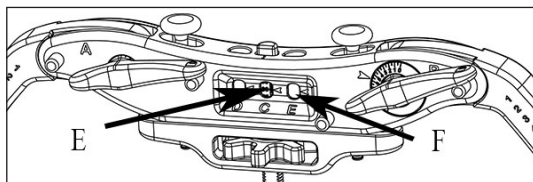
2 Respiratory Plate (check all that apply): Standard Wide ComfortCare™ Cushion



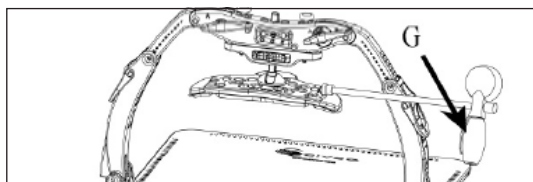
- A) ONEBridge™ Side A:
- B) ONEBridge Side B:
- C) Docking Index:



- D) ONEBridge Lateral Position:

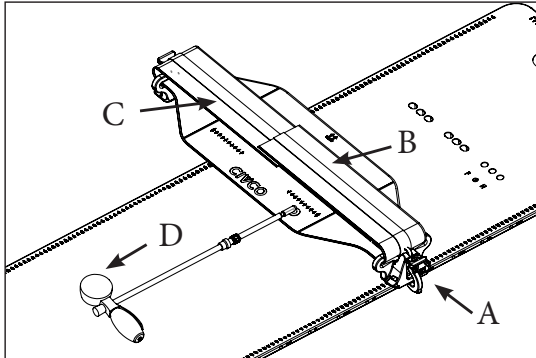


- E) Respiratory Plate Height:
- F) Respiratory Plate Lateral Position: D C E



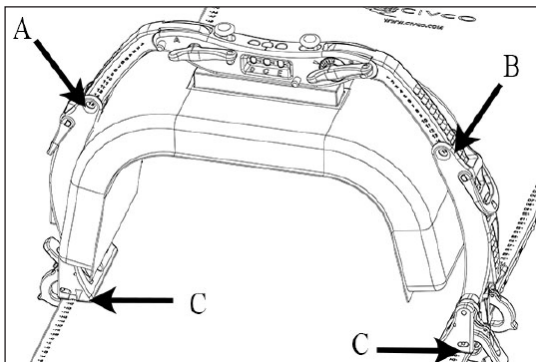
- G) Set pressure between: _____ and _____
(only if using ComfortCare Cushion)

3 Respiratory Belt (check if utilized)

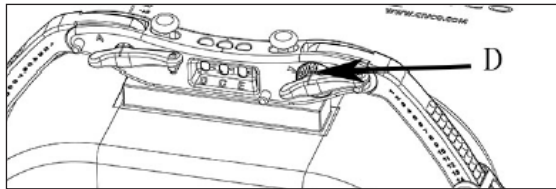


- A) Docking Index: -
- B) Left velcro strap indexed at: -
- C) Right velcro strap indexed at: -
- D) Set pressure between: and

4 Clam-Lok™ Cushion (check if utilized)

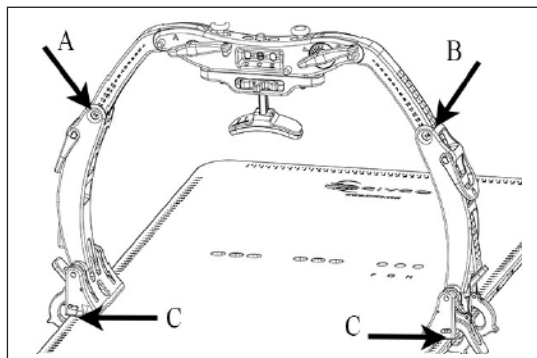


- A) ONEBridge™ Side A:
- B) ONEBridge Side B:
- C) Docking Index:

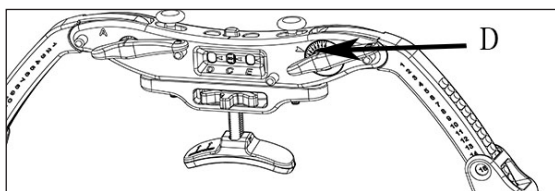


- D) ONEBridge Lateral Position:

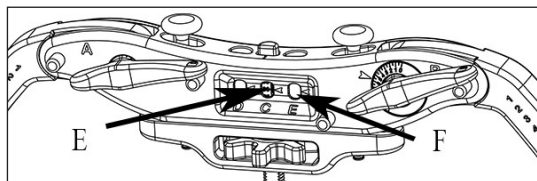
5 Forehead Brace (check if utilized)



- A) ONEBridge™ Side A:
- B) ONEBridge Side B:
- C) Docking Index:



- D) ONEBridge Lateral Position:



- E) Forehead Brace Height:
- F) Forehead Brace Lateral Position: D C E

6 Additional indexable accessory:
Indexed at:

7 Additional indexable accessory:
Indexed at:

8 Additional indexable accessory:
Indexed at:

9 Additional indexable accessory:
Indexed at: