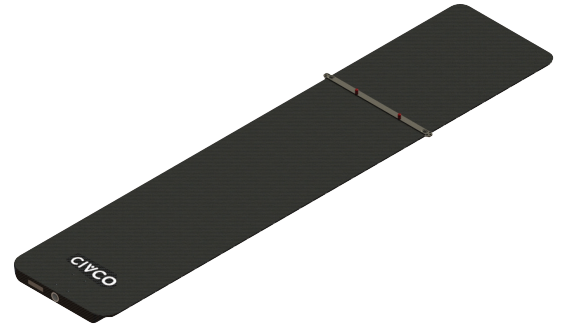


Universal Couchtop™ 1 Piece

CIVCO Technical Data Sheet



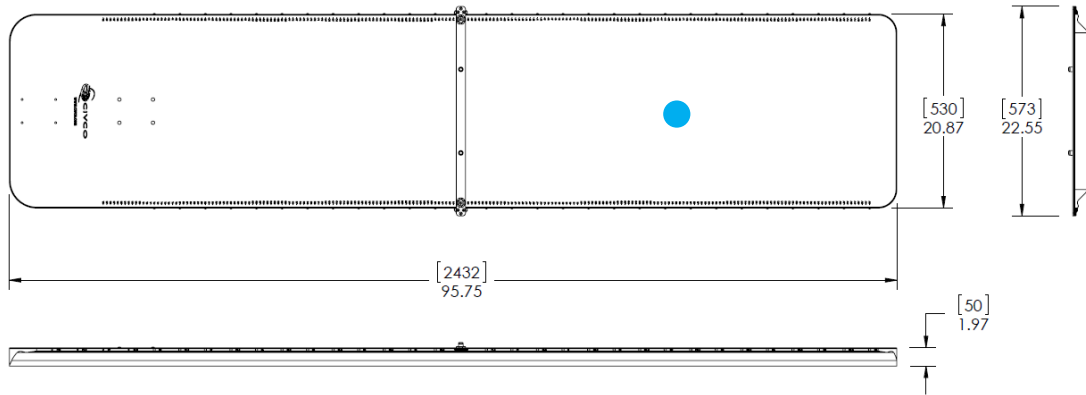
Product Name	Universal Couchtop™ 1 Piece	
Product Number	CT: Siemens Biograph (Short): MTIL6022 Siemens Somatom (Long): MTIL6023 Siemens Definition (Long): PHS 1 A/B Cradle MTIL6024 PHS 4 Cradle MTIL6026 GE HiSpeed (Short): MTIL6320 GE Discovery ST (Long): MTIL6321 GE Global 1700 (Short): MTIL6322 GE Global 2000 (Long): MTIL6323 Fujifilm FCT Embrace (Long): MTIL6920 Philips Brilliance (Long): MTIL6420 Canon Aquilion (Short): MTIL6520 Canon Aquilion One (Long): MTIL6521	Linac: Siemens Txt (Long): MTIL6020 Siemens ZXT (Long): MTIL6021 Varian Exact (Long): MTIL6120 Protura on Varian (Long): MTIL6121 Elekta (Long): MTIL6220 Proton: MTIL6720
Kits that include this product	Not Applicable	
General Description	The Universal Couchtop 1 Piece is a strong and lightweight couchtop with low attenuation and surface dose. It is available for most CT scanners and linear accelerators, providing a dosimetrically matched treatment platform.	
Indications for use	MTIL6720: The device is indicated to aid in supporting and positioning adult and pediatric patients undergoing radiation therapy including electron, photon, and proton treatments. The device is also used during image acquisition to support treatment planning. MTIL6020, MTIL6021, MTIL6220, MTIL6601, MTIL6604, MTIL6605, MTIL6606, MTIL6607, MTIL6608, MTIL6610, MTIL6920: The device is indicated to aid in patient positioning.	
Contraindications	None	
MRI Compatible	No	
Integration	Not Applicable	
FDA Clearance	Yes	
CE Marked (EU DOC)	Yes	
Other Country Registrations	Available upon request	

Technical Details

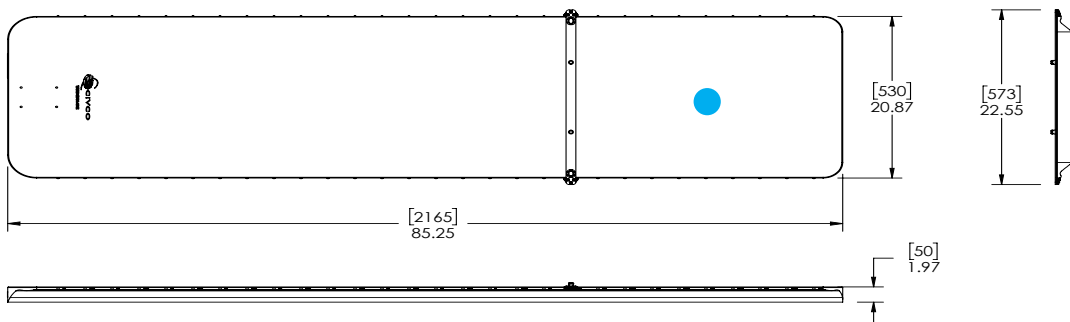
	Long	Short	
Primary Materials	Carbon Fiber Composite	Carbon Fiber Composite	
Weight (approx)	13.6 kg / 30 lbs	12.3 kg / 27 lbs	
Dimensions (mm)	2432 L x 530 W x 50 H	2165 L x 530 W x 50 H	
Dosimetric Properties	Location	6 MV photons	Proton water equivalency R80
	Center ●	2.8%	7.0 mm
Performance Specifications are for reference only, values may vary based on setup and equipment.			
Country of Manufacture	USA	USA	

Technical Drawing

Long



Short



Packaging

Unit Pack	1 Piece
Units / Box	1 Piece
Shelf Life	Not Applicable
Warranty	See CIVCO website for Product Warranty Statement
Sterilization	Non-Sterile
Launch Date	June 2010

Global Sales Office

Orange City, Iowa, USA
800.842.8688 | +1 712.737.8688

info@CivcoRT.com
www.CivcoRT.com

