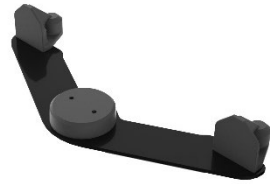


# Thorawedge™ Locator

## CIVCO RT Technical Data Sheet

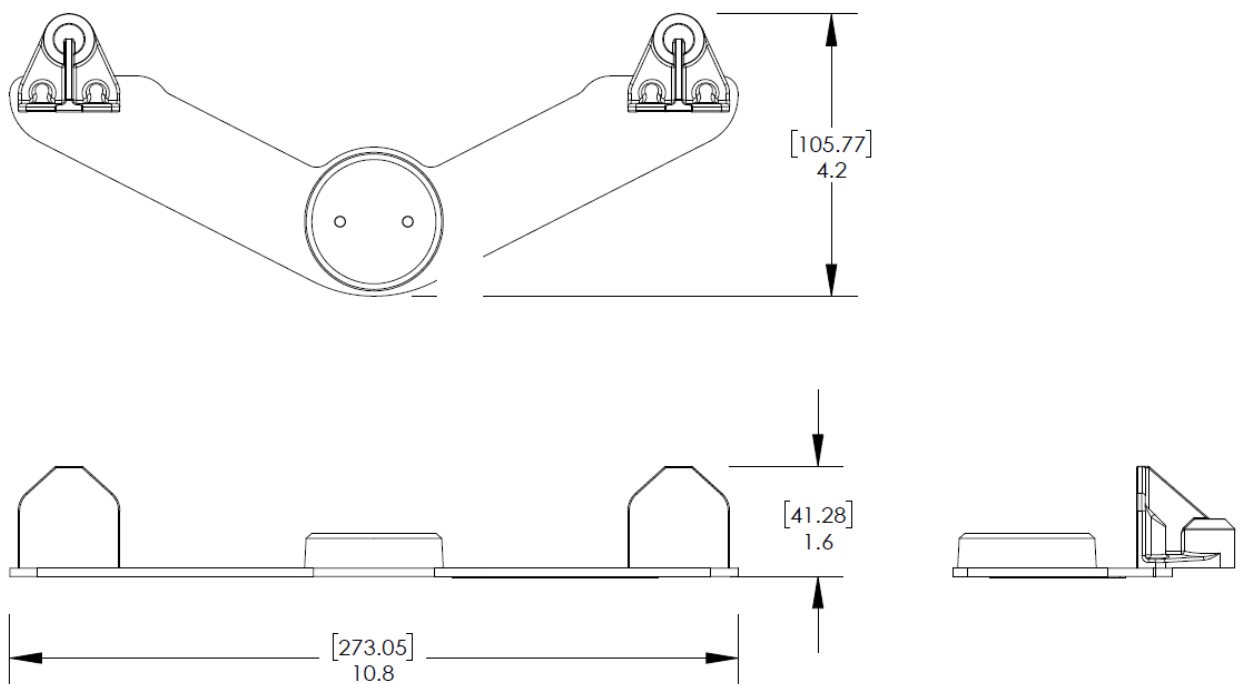


Product Name	Thorawedge Locator
Product Number	TWI100
General Description	The Thorawedge Locator is a simple device that allows quick indexing of the Thorawedge to the TotalRT™ All in One Platform via the Type-S™ Lok-Bar™ or any couchtop in combination with a standard two or three-pin Lok-Bar.
Indications for use	The device is indicated to aid in supporting and positioning adult and pediatric patients undergoing radiation therapy including electron, photon, and proton treatments. The device is also used during image acquisition to support treatment planning.
MR Safe	Yes
Integration	TotalRT All in One Platform via the Type-S Lok-Bar or any couchtop in combination with a standard two or three-pin Lok-Bar.
FDA Clearance	Yes
CE Marked (EU DOC)	Yes
Other Country Registrations	Available upon request
Country of Manufacture	USA

# Technical Details

Component	<b>TW1100</b> Thorawedge Locator
Primary Materials	Black Polycarbonate, Black Nylon, White Nylon
Weight (approx)	0.45 kg / 1 lb
Dimensions (mm)	273 L x 106 W x 41 H (min.)

## Technical Drawing (MTWB08)



# Packaging

Unit Pack	Each
Units / Box	One device – may have several component parts in box
Shelf Life	n/a
Warranty	<a href="#">See CIVCO RT website for Product Warranty Statement</a>
Sterilization	Non-Sterile
Launch Date	May 2023