

Posicast® Thermoplastics

CIVCO Technical Data Sheet



Posicast Thermoplastics are designed to drape over the patient and feature different spray coatings in Lite and Plus styles. These thermoplastics are compatible with the Posifix® Patient Positioning Systems. For a full list of available thermoplastic part numbers, please visit www.civco.com.

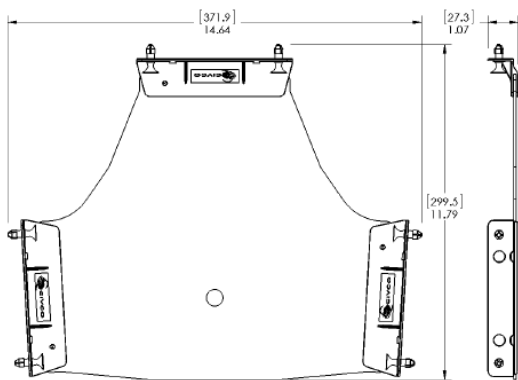
Product Configuration

Posicast-Lite

Posicast-Lite PR3

Head Only (3 pt)
0.5 lbs (0.23 kg)
299 L x 372 W x 27 H (mm)

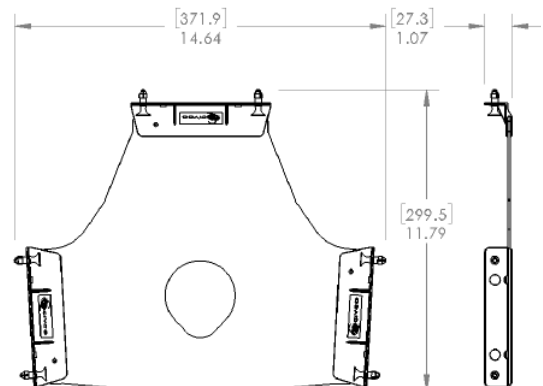
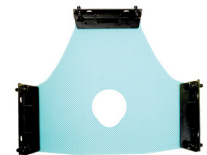
772030
2.3 mm thickness



Posicast-Lite PR31

Head Only with Open-face (3 pt)
0.5 lbs (0.23 kg)
299 L x 372 W x 27 H (mm)

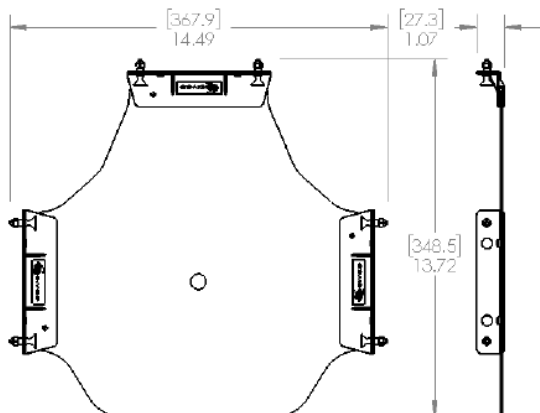
970031
2.3 mm thickness



Posicast-Lite PR44

Head Only with Larynx Extension (3 pt)
0.6 lbs (0.27 kg)
348 L x 368 W x 27 H (mm)

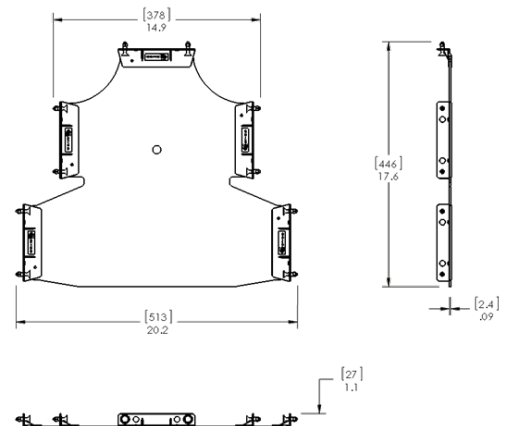
772044
2.3 mm thickness



Posicast-Lite PR5

Head, Neck & Shoulders (5 pt)
0.91 lbs (0.41 kg)
446 L x 513 W x 27 H (mm)

772145
2.3 mm thickness



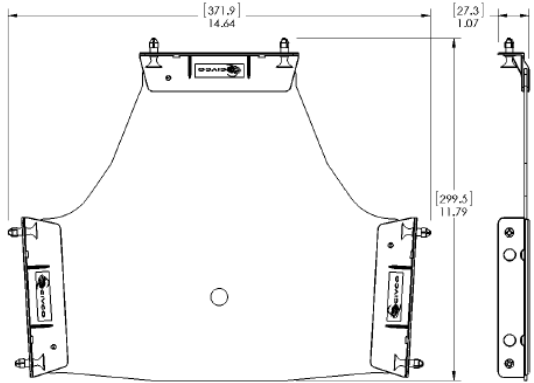
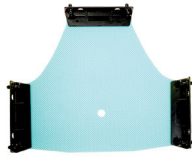
Posicast®-Plus

Posicast-Plus PR3

Head Only (3 pt)
 0.5 lbs (0.23 kg)
 299 L x 372 W x 27 H (mm)

930030

2.3 mm thickness

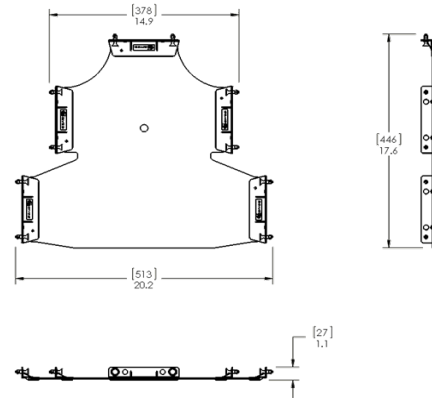


Posicast-Plus PR5

Head, Neck & Shoulders (5 pt)
 1.0 lbs (0.45 kg)
 446 L x 513 W x 27 H (mm)

930145

2.3 mm thickness

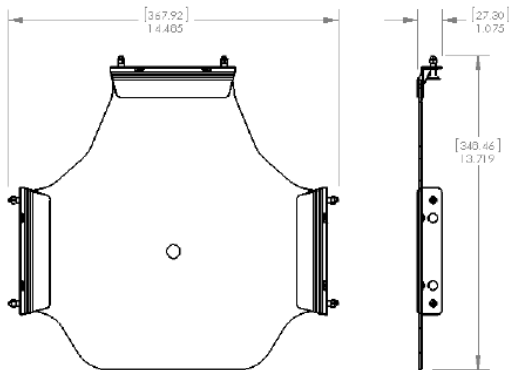


Posicast-Plus PR44

Head Only (3 pt) with Larynx Extension
 0.6 lbs (0.27 kg)
 348 L x 368 W x 27 H (mm)

930044

2.3 mm thickness

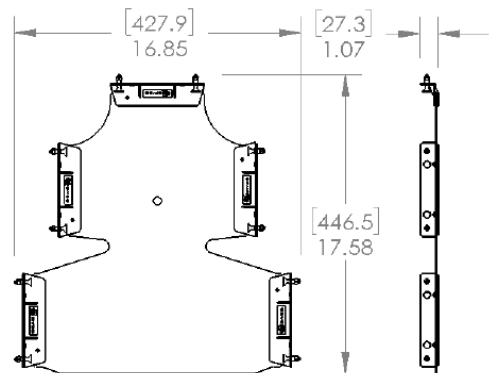


Posicast-Plus PR55, Pediatric

Head, Neck & Shoulders (5 pt)
 0.85 lbs (0.39 kg)
 446 L x 428 W x 27 H

930055

2.3 mm thickness

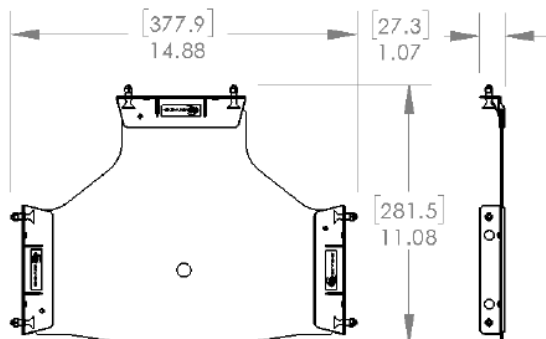
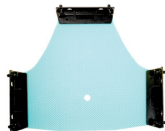


Posicast-Plus PR33, Pediatric

Head Only (3 pt)
 0.55 lbs (0.25 kg)
 281 L x 378 W x 27 H

930033

2.3 mm thickness



Technical Details

	Posicast®-Plus (Head-Only and H, N & S)	Posicast-Lite (Head-Only and H, N & S)
Primary Materials	Polycaprolactone Black Nylon Black ABS Polycarbonate	Polycaprolactone Black Nylon Black ABS Polycarbonate
Activation temperature (water bath)	70° C / 158° F	70° C / 158° F
Activation time (water bath)	1 min	1 min
Attenuation (Unstretched Mask)**	6MV: 0.65% 18MV: 0.21%	6MV: 0.65% 18MV: 0.12%
Thickness	2.3 mm (.090)	2.3 mm (.090)
Perforation (surface)	5%	5%
Density	1.145 g/cm ³	1.145 g/cm ³
Surface feeling	Smooth & Soft	Smooth
Color	Green	Green
Odor	None	None
Biocompatible	Yes	Yes
Transparent when activated	No	No
Molding time (maximum)*^a	1 min 40 sec	1 min 15 sec
Hardening time*^b	8 min 20 sec	8 min 45 sec
Time to completion (minimum)*^c	10 min	10 min

Product Details

Indications for use	Head & Neck Immobilization
Contraindications	None
MRI Compatible	MR Safe
Integration	Connects to Universal Couchtop™ and Baseplates with Posifix® connection
FDA Clearance	Yes
CE Marked (EU DOC)	Yes
Other Country Registrations	Available upon request
Country of Manufacture	USA

Packaging Details

Unit Pack	1 Piece
Units / Box	10 Pieces
Shelf Life	Not Applicable
Warranty	See CIVCORT website for Product Warranty Statement
Sterilization	Non-Sterile

Test Procedures used to Acquire Data

Definitions*

- Molding Time** - the time frame available from when the mask is removed from the waterbath to the time that the mask can no longer be molded or formed.
- Hardening Time** - the time between the molding and completion time where the mask should be cooling and hardening on its own without being manipulated or molded.
- Time to Completion** - the total time from when the mask is taken out of the waterbath to when the mask can be removed from the patient.

Attenuation Test Conditions**

- 100 cm SAD
- 10 x 10 cm Field Size
- 6 MV Dmax = 1.5 cm
18 MV Dmax = 3.0 cm