

Monarch™ Overhead Arm Positioner

CIVCO Technical Data Sheet

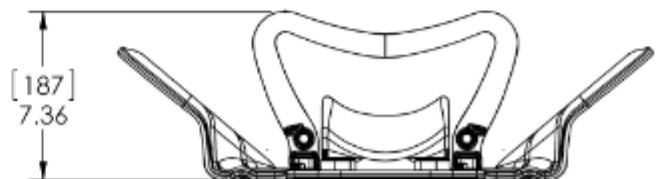
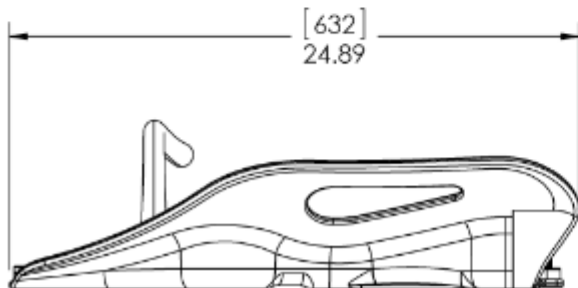
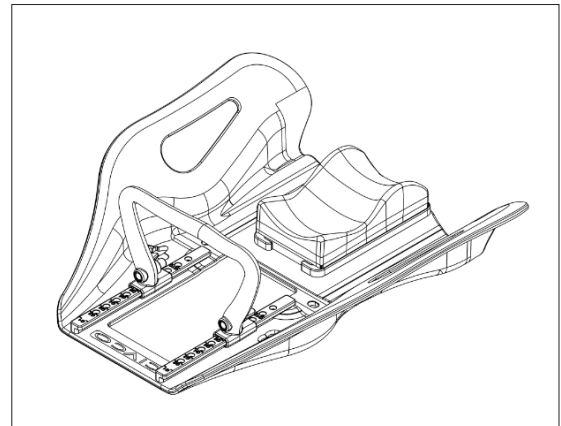
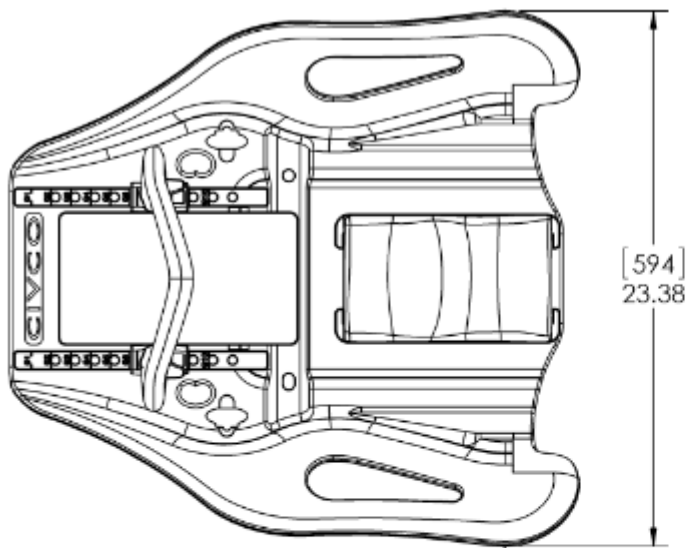


Product Name	Monarch™ Overhead Arm Positioner	
Product Number	OAP110	Monarch Overhead Arm Positioner for use with Lok-Bar™
	OAP100	Monarch Overhead Arm Positioner, upgrade kit for MT400 C-Qual™ Breastboard
	OAP120	Monarch Thermoplastic Frame Only, Upgrade Kit for Monarch Overhead Arm Positioner
	OAP160	Monarch Individual Hand Grips
General Description	The Monarch Overhead Arm Positioner is 23.4" (59 cm) wide and features dual function hand grips that allow for natural flexion of the patient's wrists while providing increased positioning options for the clinician.	
Indications for use	OAP110	The device is intended to support and aid in positioning a patient during radiologic and other medical procedures. Devices are used to aid in the support and positioning of patients during an MRI.
	OAP160	
	OAP100	The device is intended to support and aid in positioning a patient during radiologic and other medical procedures.
	OAP120	
MRI Compatible	OAP110	MR Conditional. Product poses no known hazard in 1.5 and 3.0T MR environments.
OAP160		
Integration	3-Pin Indexable to Couchtop or available as an upgrade kit for use with MT400 C-Qual Breastboard.	
FDA Clearance	Yes	
CE Marked (EU DOC)	Yes	
Other Country Registrations	Available upon request	
Country of Manufacture	USA	

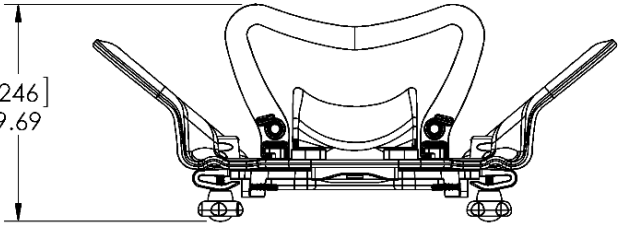
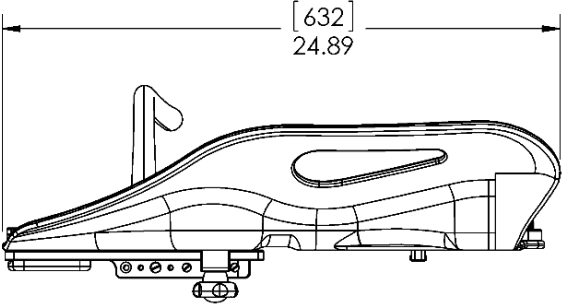
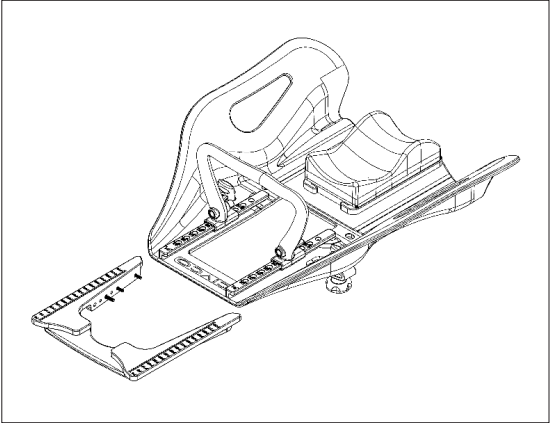
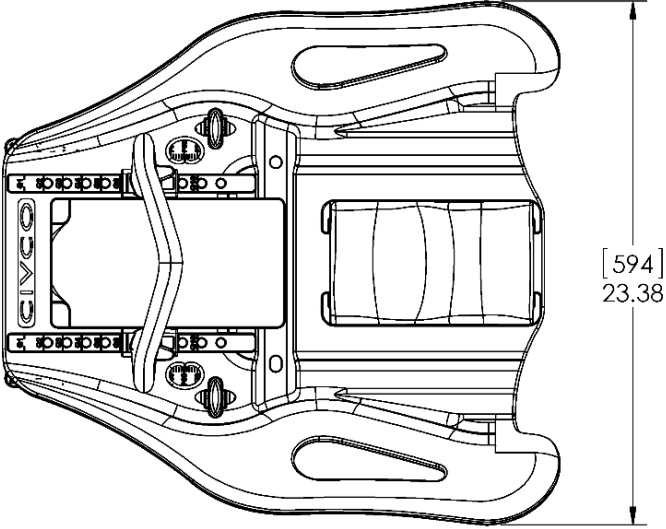
Technical Details

Primary Materials	Kydex T thermoplastic, Black Acetal, Black ABS	
Weight (approx)	3.9 kg / 8.5 lbs. (OAP110)	5 kg / 11 lbs. (OAP100)
Dimensions (mm)	632 L x 594 W x 187 H (OAP110)	632 L x 594 W x 246 H (OAP100)

Technical Drawing (OAP110)



Technical Drawing (OAP100)



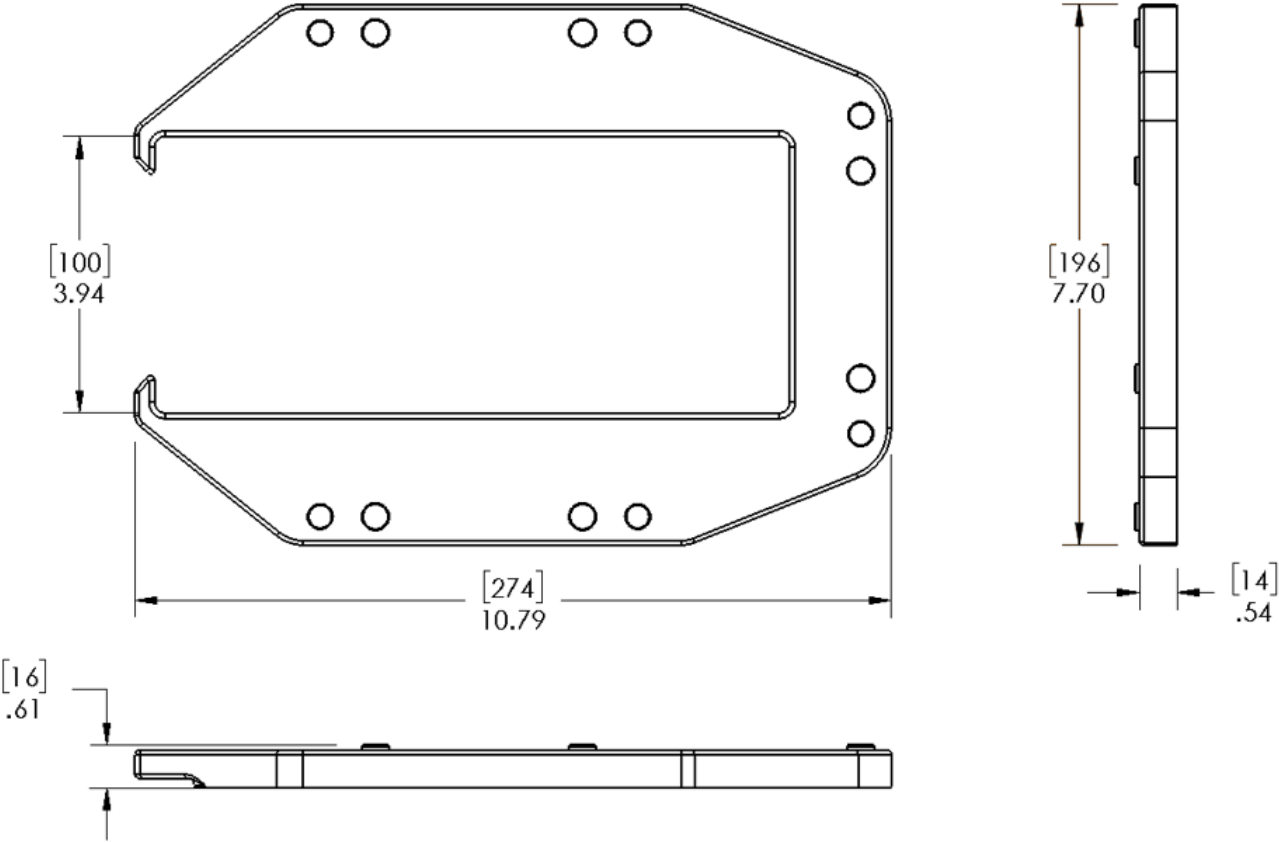
Technical Details

Primary Materials Black Acetal, White Delrin

Weight (approx) .27 kg / .60 lbs.

Dimensions (mm) 274 L x 100 W x 16 H

Technical Drawing (OAP120)



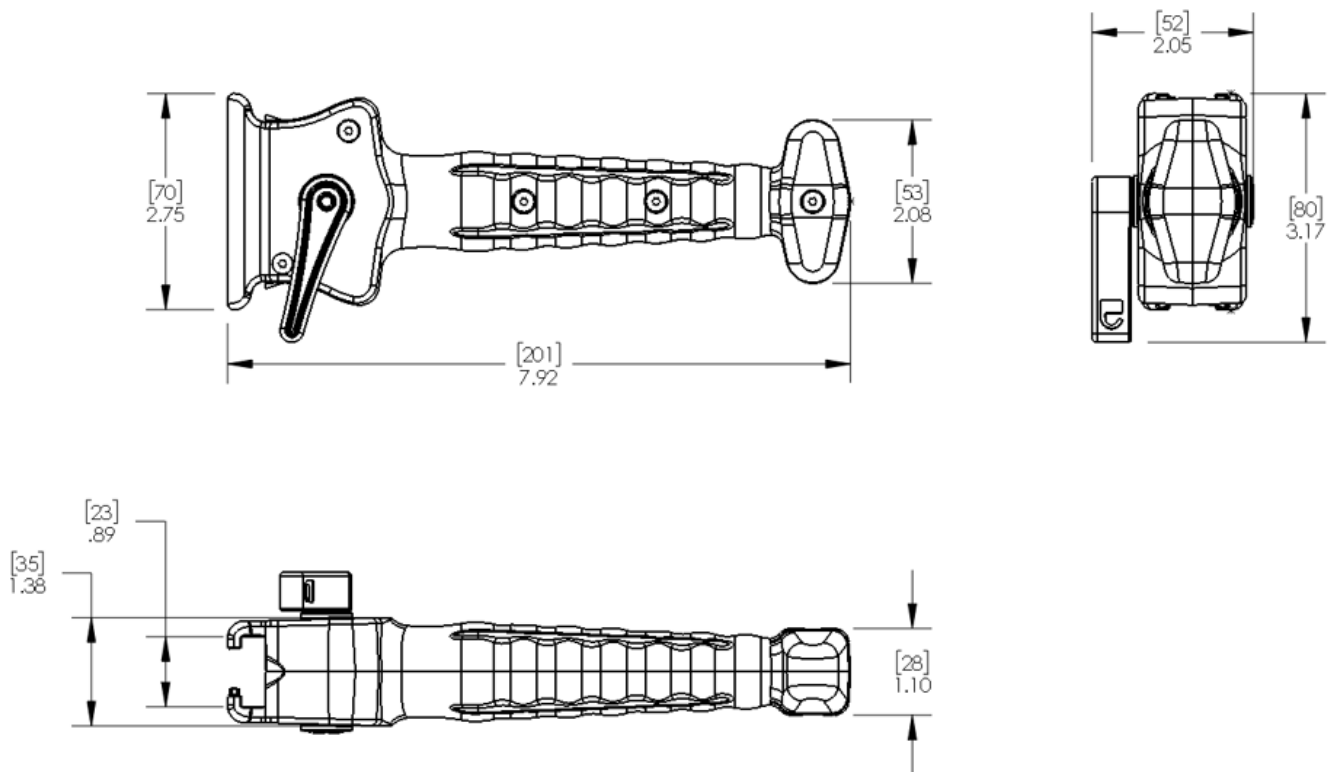
Technical Details

Primary Materials Black ABS, White Acetal

Weight (approx) .25 kg / .55 lbs

Dimensions (mm) 80 L x 52 W x 201 H

Technical Drawing (OAP160)



Packaging

Unit Pack	Each
Units / Box	One device - may have several component parts in box
Shelf Life	n/a
Warranty	See CIVCO website for Product Warranty Statement
Sterilization	Non-Sterile
Launch Date	October 2015

Accessories

System Customization	Compatible with: Mastercast™ Pro Head-Only Thermoplastics (with OAP120) Posicast® Head-Only Thermoplastics (with OAP120) Posifix® Headrests Vac-Lok™ Cushions
-----------------------------	---------------------------------------------------------------------------------------------------------------------------------------------------------------------------

Global Sales Office

Orange City, Iowa, USA
800.842.8688 | +1 712.737.8688

info@CivcoRT.com
www.CivcoRT.com

