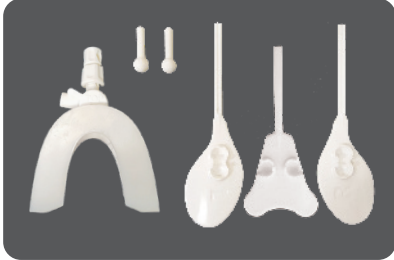


GrayDuck Stents™

CIVCO Technical Data Sheet



Product Name	GrayDuck Stents	
Product Number	GDS001, medium size	GDS002, small size
General Description	GrayDuck Stents, for oral positioning and immobilization of the tongue, are currently the only custom-fitted bite block system that can position the tongue in one of several positions.	
Indications for use	The GrayDuck Stent is intended to be used by or under the direction of a licensed physician for repeat positioning and immobilization of a patient's tongue and jaw while undergoing or receiving a course of external beam radiation therapy for treatment of cancer and other diseases.	
MRI Compatible	MR Safe	
Integration	Compatible with all CIVCO thermoplastic types	
FDA Clearance	Yes	
CE Marked (EU DOC)	Yes	
Other Country Registrations	Available upon request	
Intellectual Property (IP)	US Patent # 9,504,537 and other patents pending	
Country of Manufacture	USA	

Dosimetric Properties



Location

Middle of the tongue depressor ●

Proton water equivalency R80

0.44 cm

Performance specifications are for reference only. Values may vary based on setup and equipment.

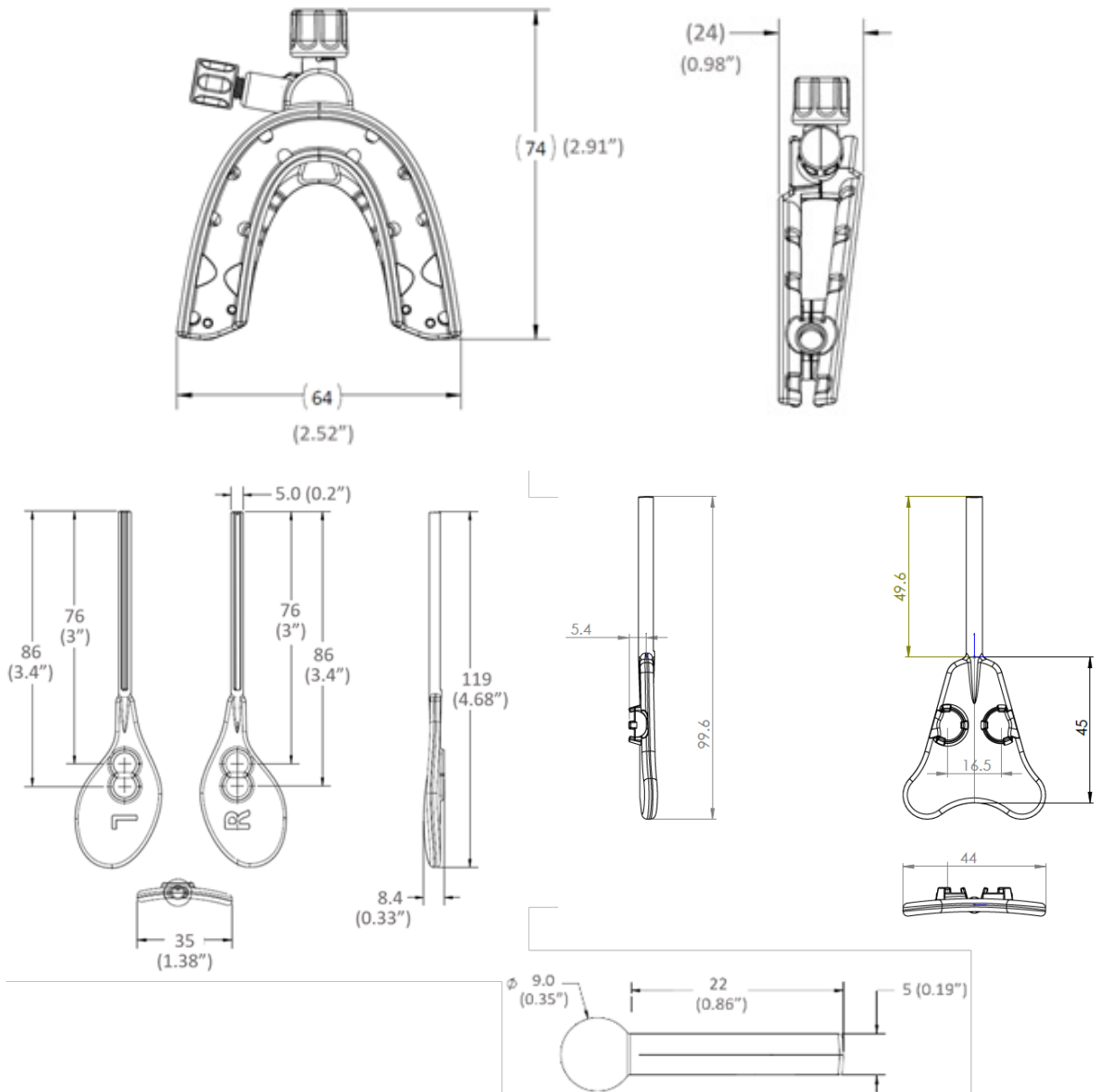
Technical Details

Primary Materials Polycarbonate. Ethylene Vinyl Acetate

Weight (approx) 2 oz (56 g)

Dimensions 2.91" x 2.52" x 0.98" (7.3 cm x 6.5 cm x 2.5 cm)

Technical Drawing (GDS001)



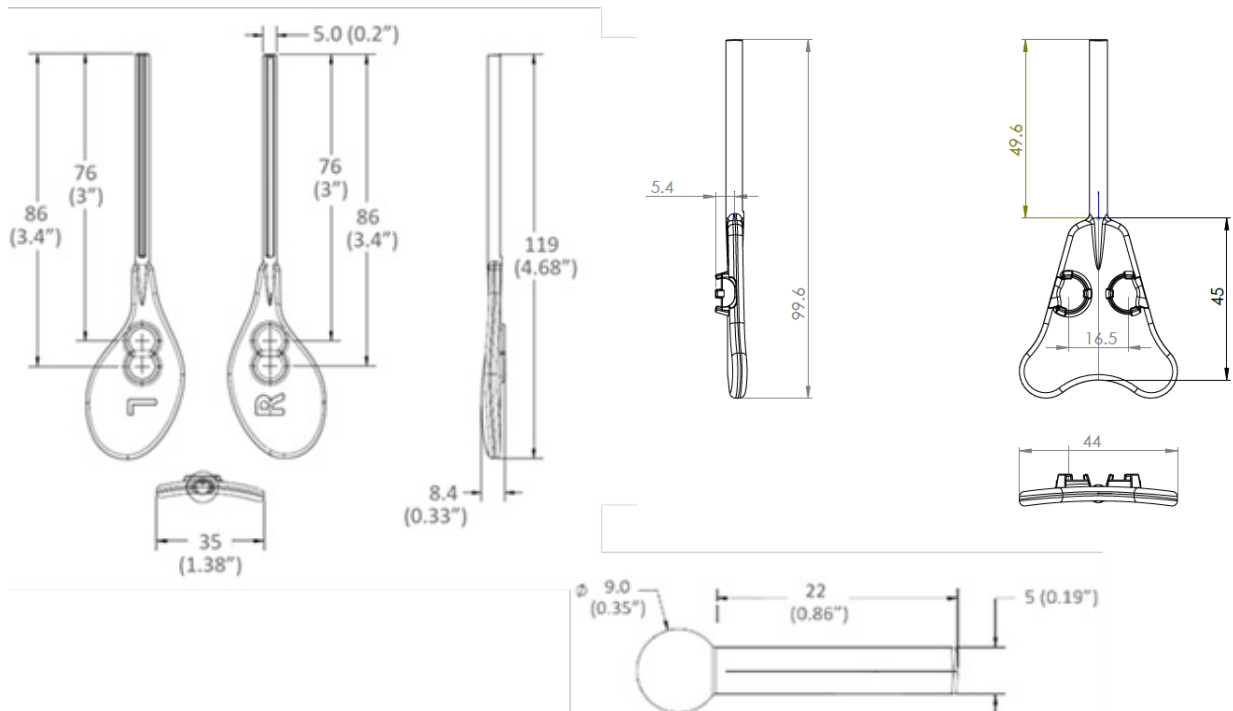
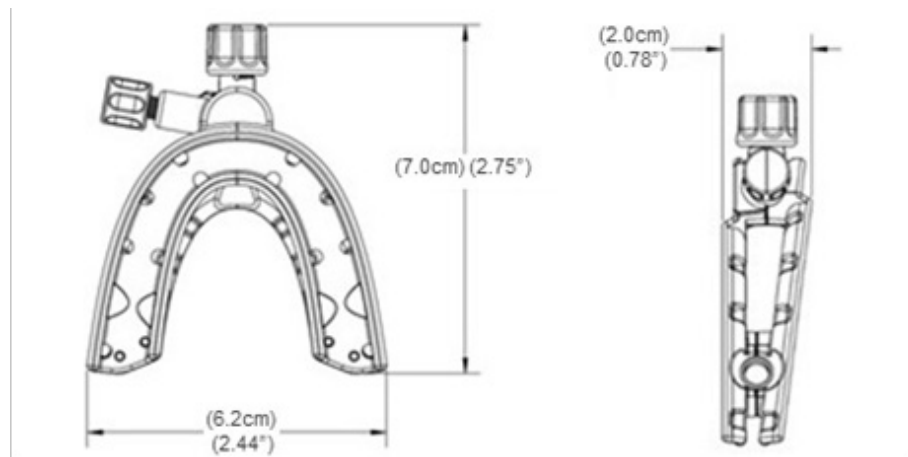
Technical Details

Primary Materials Polycarbonate. Ethylene Vinyl Acetate

Weight (approx) 1.8 oz (52 g)

Dimensions 2.75" x 2.4" x 0.78" (7.0 cm x 6.2 cm x 2.0 cm)

Technical Drawing (GDS002)



Packaging

Unit Pack	Each
Units / Box	Four
Shelf Life	n/a
Warranty	See CIVCO website for Product Warranty Statement
Sterilization	Not sterile

Global Sales Office

Orange City, Iowa, USA
800.842.8688 | +1 712.737.8688

info@CivcoRT.com
www.CivcoRT.com

