

CIVCO Technical Data Sheet

Exact® IGRT/CT Rails-Only



Product Name	Exact IGRT/CT Rails-Only
Product Number	MTSBRT060
Kits that include this product	MTSBRT060K
General Description	Aids in providing comfortable, total body immobilization for hypo-fractionated treatments
Indications for use	SBRT Patient Immobilization
MRI Compatible	No
Integration	Clamps to the IGRT couchtop profile and Exact Indexing CT overlays with an edge thickness of 0.76"-0.975" (19.3mm-24.8mm)
FDA Clearance	Yes
CE Marked (EU DOC)	Yes

Other Country Registrations Available upon request

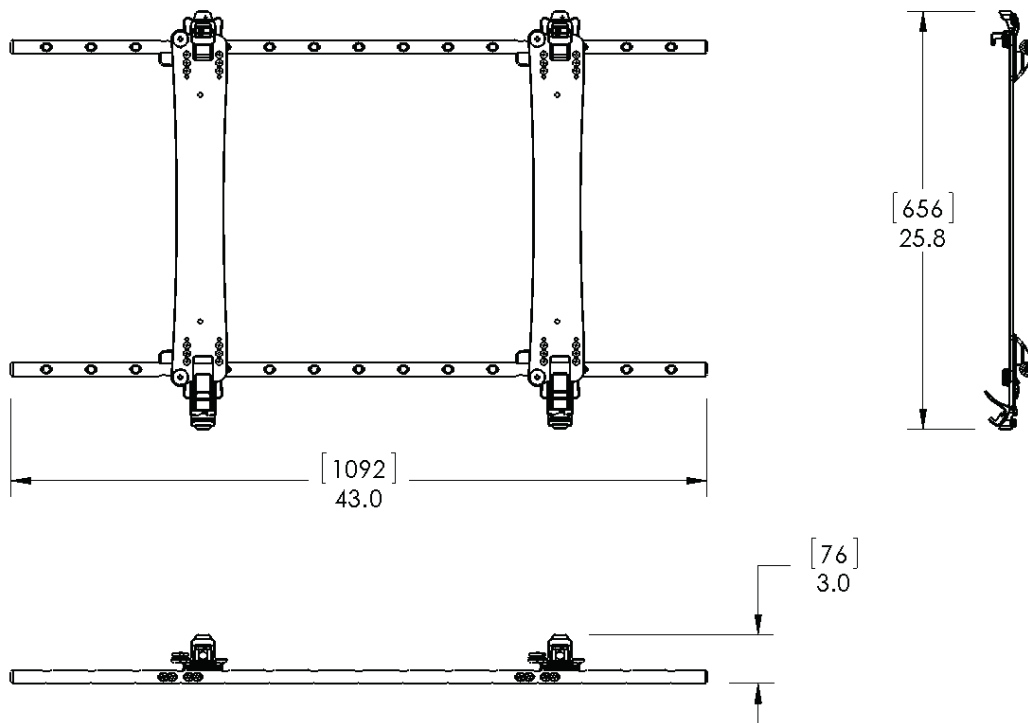
Technical Details

Primary Materials Carbon Fiber, Black Acetal, Fiberglass (Garolite), Anodized Aluminum

Weight (approx) 2.99 kg / 6.6 lbs

Dimensions (mm) 1092 L x 656 W x 76 H (min.)

Technical Drawing



Country of Manufacture USA

Packaging

Unit Pack	Each
Units / Box	One device - may have several component parts in box
Shelf Life	n/a
Warranty	See CIVCO website for Product Warranty Statement
Sterilization	Non-Sterile
Launch Date	September 2015

Accessories

System Customization	Clam-Lok™ Cushion: MTSBRT202 T-Shape Vac-Lok™: MTVL0017 Kneefix™ 3: 301052 Elevation Blocks: 301055 Feetfix™ 3: 301071 Monarch™ Overhead Arm Positioner: OPA110 Extended Wing Board™ w/ T-Grip Handles: MTWB08T Extended Wing Board w/ U-Grip Handles: MTWB08U Patient Handles, Right: MTSBRT005 Patient Handles, Left: MTSBRT0051 Rails-Only T-Pin Lok-Bars™, Two-Pin: MTSBRT055 Rails-Only T-Pin Lok-Bars, Three-Pin: MTSBRT054 Respiratory Belt: MTSBRT004 Standard Respiratory Plate: MTSBRT003 Wide Respiratory Plate: BPL008 Type 1B Bridge: MTSBRT039 Type 2 Bridge: MTSBRT007 Type 3 Bridge: MTSBRT031
-----------------------------	-------------------------------------------------------------------------------------------------------------------------------------------------------------------------------------------------------------------------------------------------------------------------------------------------------------------------------------------------------------------------------------------------------------------------------------------------------------------------------------------------------------------------------------------------------------------------------------------------------------------------------------------------------------------

Committed to Positively Impacting Patient Care

Global Sales Office
Orange City, Iowa, USA info@zivco.com
800.842.8688 | +1.712.737.8688 www.zivco.com/ro

COPYRIGHT © 2016. CIVCO IS A REGISTERED TRADEMARK OF CIVCO MEDICAL SOLUTIONS. CLAM-LOK, FEETFIX, KNEEFIX, LOK-BAR, MONARCH, VAC-LOK, AND WING BOARD ARE TRADEMARKS OF CIVCO. ALL OTHER TRADEMARKS ARE PROPERTY OF THEIR RESPECTIVE OWNERS. ALL PRODUCTS MAY NOT BE LICENSED IN ACCORDANCE WITH CANADIAN LAW. 2015C1026 REV D

