

Body Pro-Lok ONE Rails-Only for Varian Exact® and IGRT Style Couchtops

CIVCO Technical Data Sheet



Product Name	Body Pro-Lok ONE Varian Exact/IGRT Rails- Only
Product Number	BPL020
Kits that include this product	BPL300
General Description	Allows for connection of Body Pro-Lok ONE Bridge, ONE Respiratory Belt and other Body Pro-Lok ONE devices to aid in providing comfortable, total body immobilization for hypo-fractionated treatments
Indications for use	SBRT Patient Immobilization
MRI Compatible	No
Integration	Clamps to the IGRT couchtop profile and Exact Indexing CT overlays with an edge thickness of 0.76"-0.975" (19.3mm-24.8mm)
FDA Clearance	Yes
CE Marked (EU DOC)	Yes
Other Country Registrations	Available upon request

Technical Details

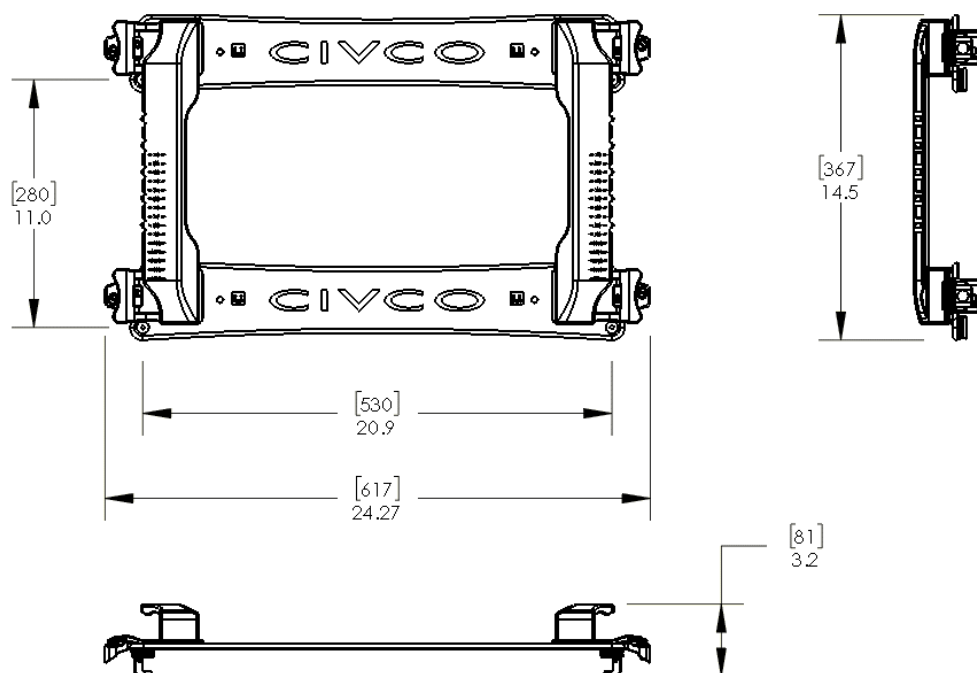
Primary Materials Carbon Fiber, Black Acetal, Aluminum, Stainless Steel

Weight (approx) 2.49 kg / 5.5 lbs

Dimensions (mm) 367 L x 617 W x 81 H

Attenuation Carbon Fiber Crossbar: 6 MV: 4.6%
18 MV: 3%

Technical Drawing



Country of Manufacture USA

Packaging

Unit Pack	Each
Units / Box	One device - may have several component parts in box
Shelf Life	n/a
Warranty	See CIVCO website for Product Warranty Statement
Sterilization	Non-Sterile
Launch Date	November 2016

Compatible Accessories

System Customization	ONEBridge™: BPL001 ONE Respiratory Belt: BPL002
-----------------------------	--

Global Sales Office
Orange City, Iowa, USA
800.842.8688 | +1 712.737.8688

info@civco.com
www.civco.com

COPYRIGHT © 2016. CIVCO IS A REGISTERED TRADEMARK OF CIVCO MEDICAL SOLUTIONS. BODY PRO-LOK ONE AND ONEBRIDGE ARE TRADEMARKS OF CIVCO. ALL OTHER TRADEMARKS ARE PROPERTY OF THEIR RESPECTIVE OWNERS. ALL PRODUCTS MAY NOT BE LICENSED IN ACCORDANCE WITH CANADIAN LAW.
2016C1226 REV A

CIVCO[®]
Radiotherapy