

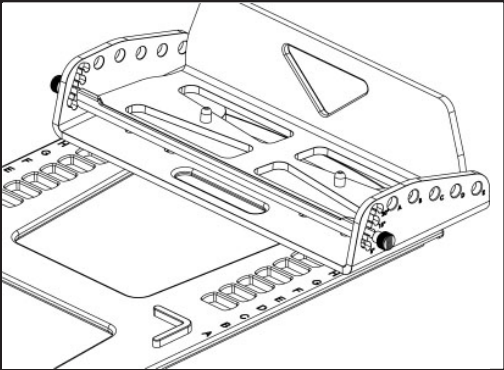
# Set-up Sheet - Combifix™

Patient: \_\_\_\_\_ Date: \_\_\_\_\_

Notes: \_\_\_\_\_

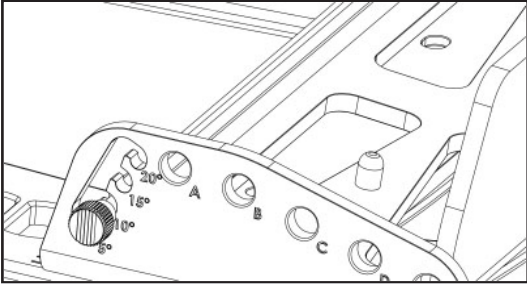
1. Lok-Bars™ are indexed to table at (i.e. H1, F2): \_\_\_\_\_

### 2. Feetfix Style Couch Support Position



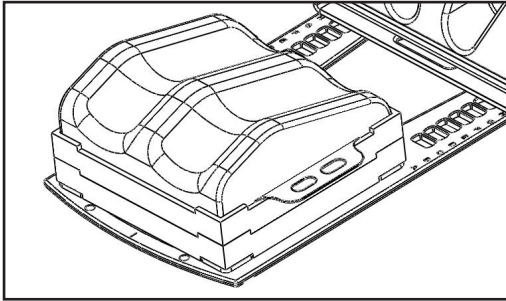
Indexed to Combifix at (select one)  
A B C D E F G H

### 3. Feetfix Style Couch Support Rotation



(select one)  
5° 10° 15° 20°

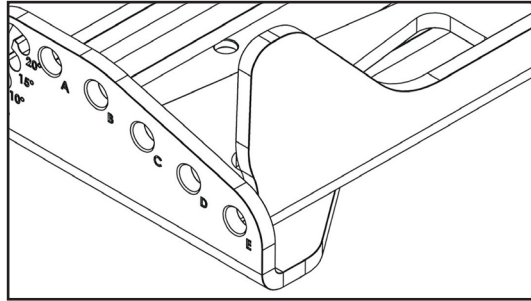
4. Number of Kneefix Style & Elevation Blocks



Kneefix Style (select one)  
Standard Low

Number of Elevation Blocks (select one)  
0 1 2

5. Shoulder Retractor Settings (if used)



Shoulder Retractor Used (select one)  
Standard (red handle) Short (black handle)

Shoulder Retractor Set at (select one)  
A B C D E

**Note:** The Feetfix Couch Support can be utilized without the Combifix, if using the Feetfix Couch Support alone skip step 2.



800.842.8688 | 712.737.8688 | WWW.CIVCO.COM