

Universal Couchtop™ Long Extension on Varian TrueBeam™ Radiotherapy System

CIVCO Technical Data Sheet



Product Name	Universal Couchtop™ Long Extension (UCT LE)	
Product Number	MTIL6142	MTIL614215 (Pedestal Side Only)
Compatible Extensions	Head & Neck: MTIL6670 MTIL6672 MTIL6671	Rectangular: MTIL6660 MTIL6661 MTIL6662 MTIL6663
General Description	The Universal Couchtop Long Extension is a strong and lightweight couchtop with low attenuation and surface dose. It utilizes 7 cm indexing with extension options to treat many disease sites and is available for most major CT scanners and linear accelerators providing a dosimetrically matched treatment platform.	
Indications for use	MTIL6142, MTIL614215, MTIL6660, MTIL6661, MTIL6662, MTIL6663: The device is intended to support and aid in positioning a patient during radiologic and other medical procedures. MTIL6670, MTIL6671, MTIL6672: Fixation and repositioning of the head and neck area of the patient during radiotherapy and diagnostics.	
Contraindications	None	
MRI Compatible	No	
Integration	Not Applicable	
FDA Clearance	Yes	
CE Marked (EU DOC)	Yes	
Other Country Registrations	Available upon request	
Country of Manufacture	USA	

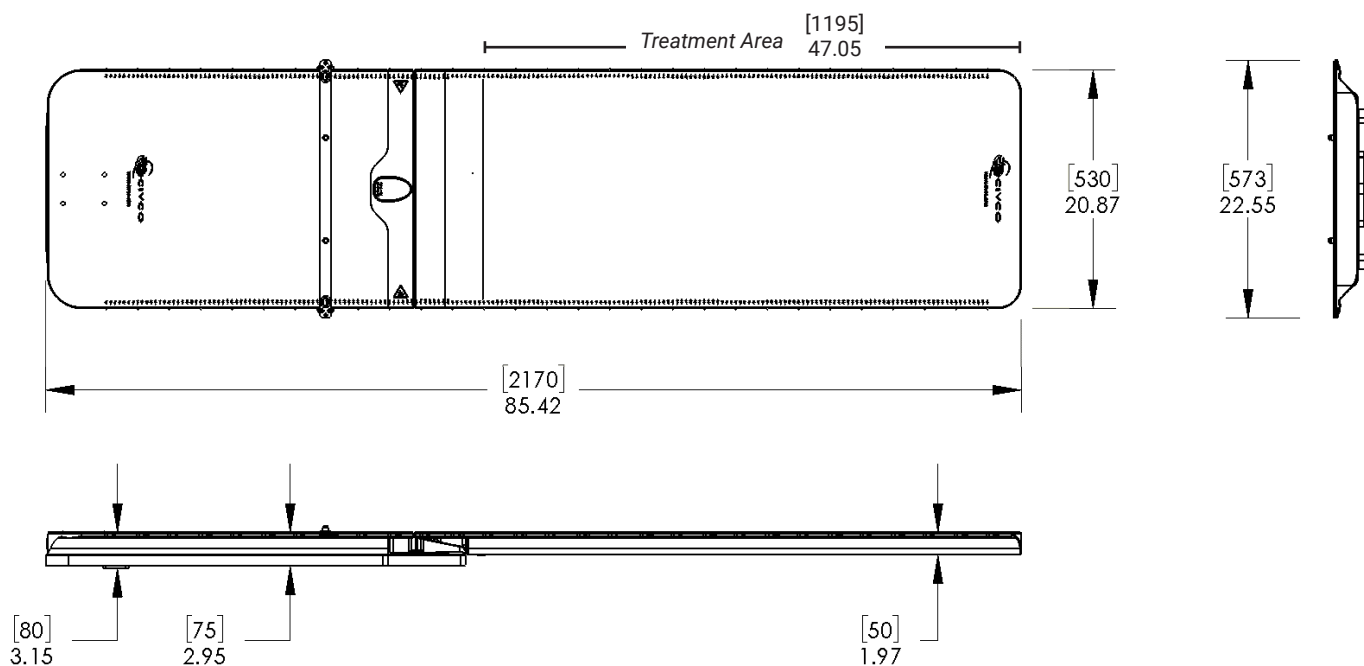
Technical Details

Primary Materials Carbon Fiber Composite, Aluminum

Weight (approx) 35.4 kg / 78 lbs

Dimensions (mm) 2170 L x 530 W x 50 H (min.)

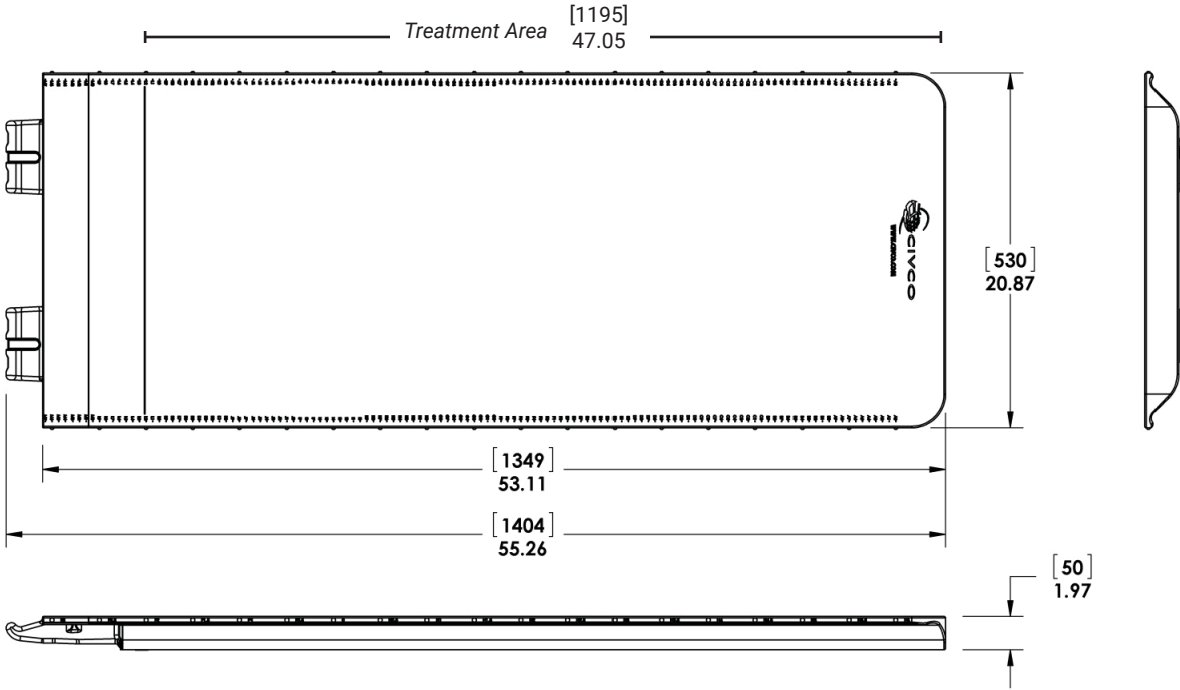
Technical Drawing - MTIL6142 (Base + Rectangular Extension)



Technical Details - Extensions

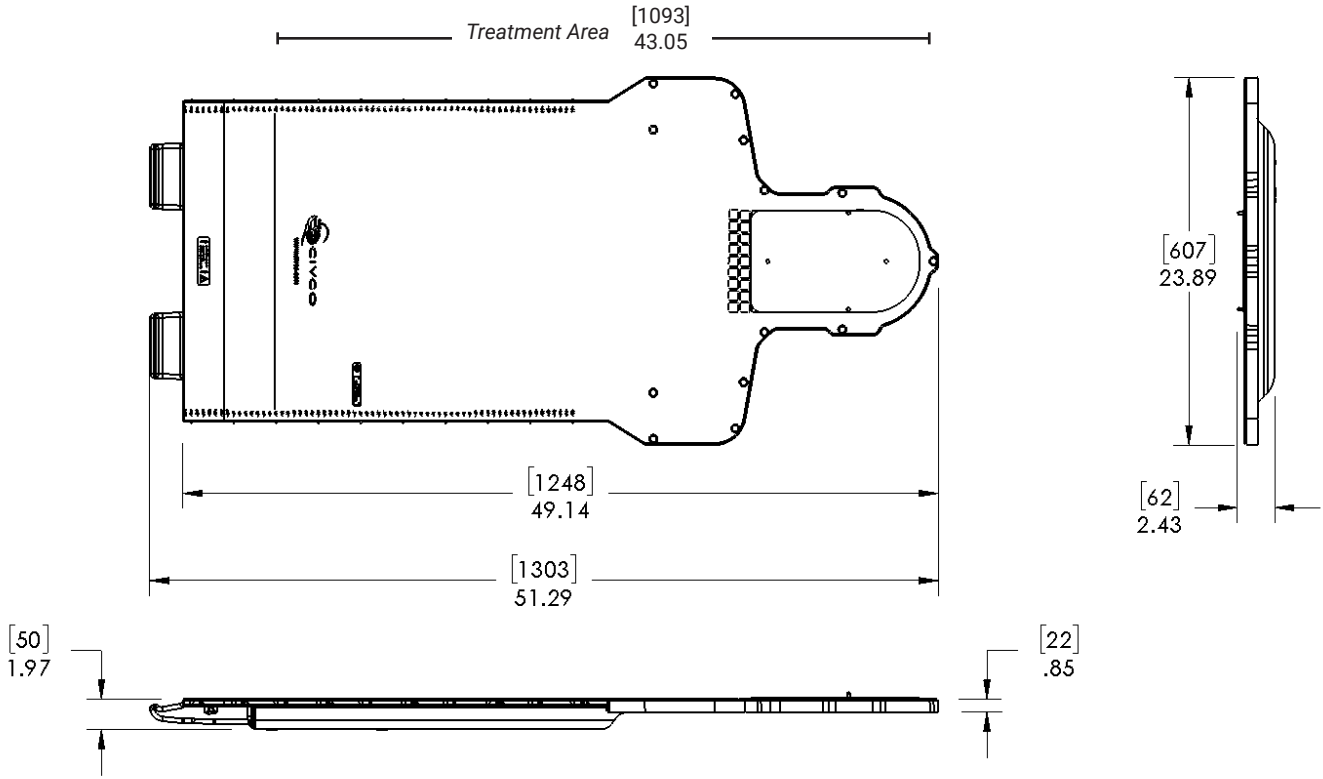
Product Name	Rectangular Extension / Rectangular Extension with Embedded Wires
Product Number	MTIL6660 / MTIL6661
Primary Materials	Carbon Fiber Composite, Aluminum
Weight (approx)	7.71 kg / 17 lbs
Dimensions (mm)	1404 L x 530 W x 50 H

Technical Drawing



Product Name	Type-S™ Extension
Product Number	MTIL6670
Primary Materials	Carbon Fiber Composite, Aluminum
Weight (approx)	7.3 kg / 16 lbs
Dimensions (mm)	1303 L x 607 W x 50 H

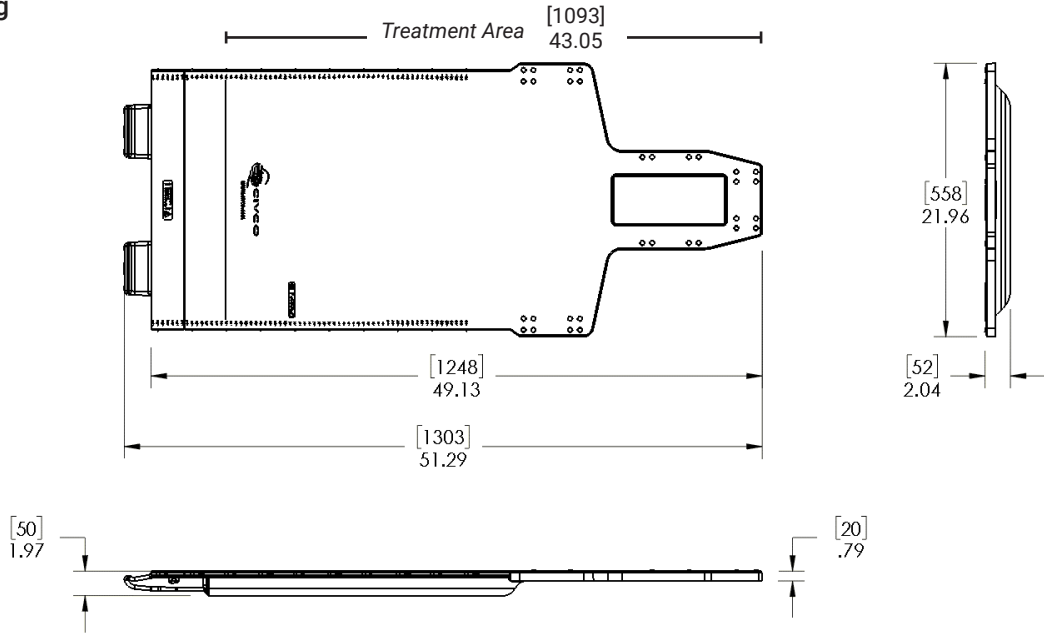
Technical Drawing



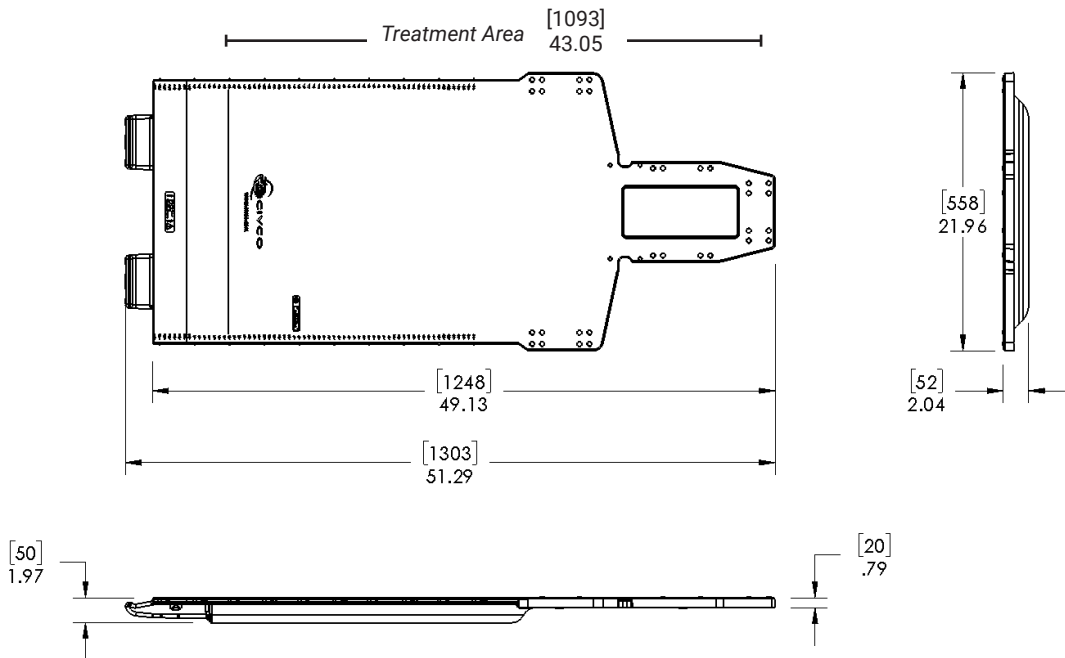
Product Name	Posifix® Extension / Posifix Extension for trUpoint ARCH™ Compatibility
Product Number	MTIL6672 / MTIL6671
Primary Materials	Carbon Fiber Composite, Aluminum
Weight (approx)	6.8 kg / 15 lbs
Dimensions (mm)	1248 L x 558 W x 50 H

Technical Drawing

MTIL6672



MTIL6671



Product Name **Kevlar Extension**

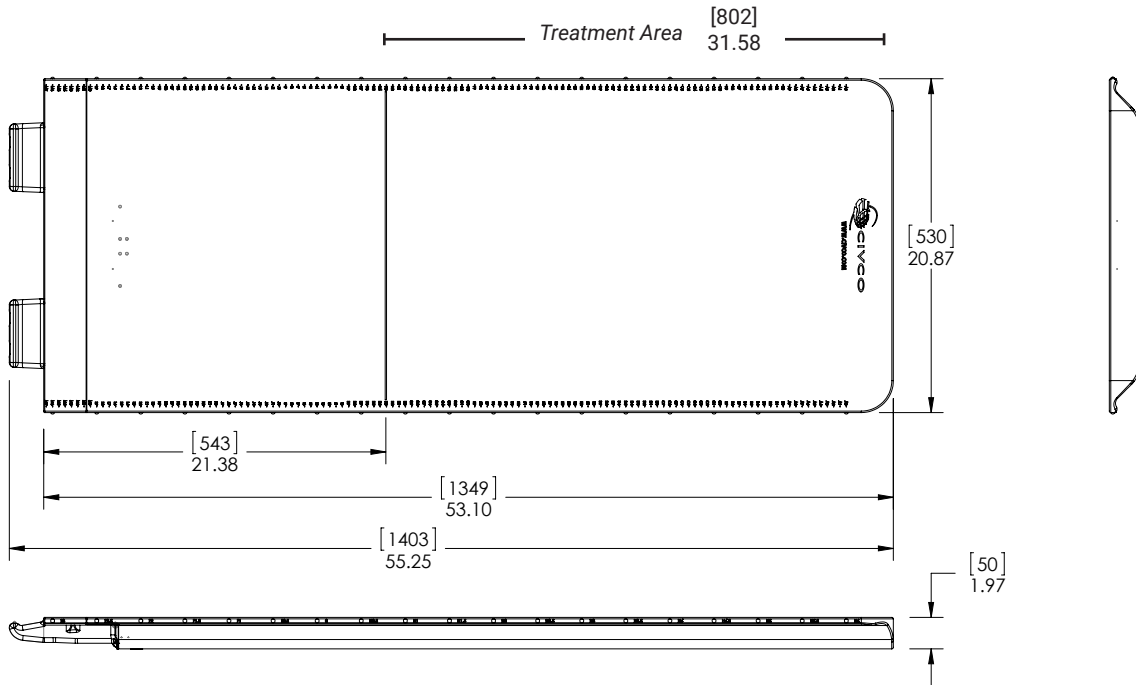
Product Number **MTIL6662**

Primary Materials Kevlar, Aluminum

Weight (approx) 11.8 kg / 26 lbs

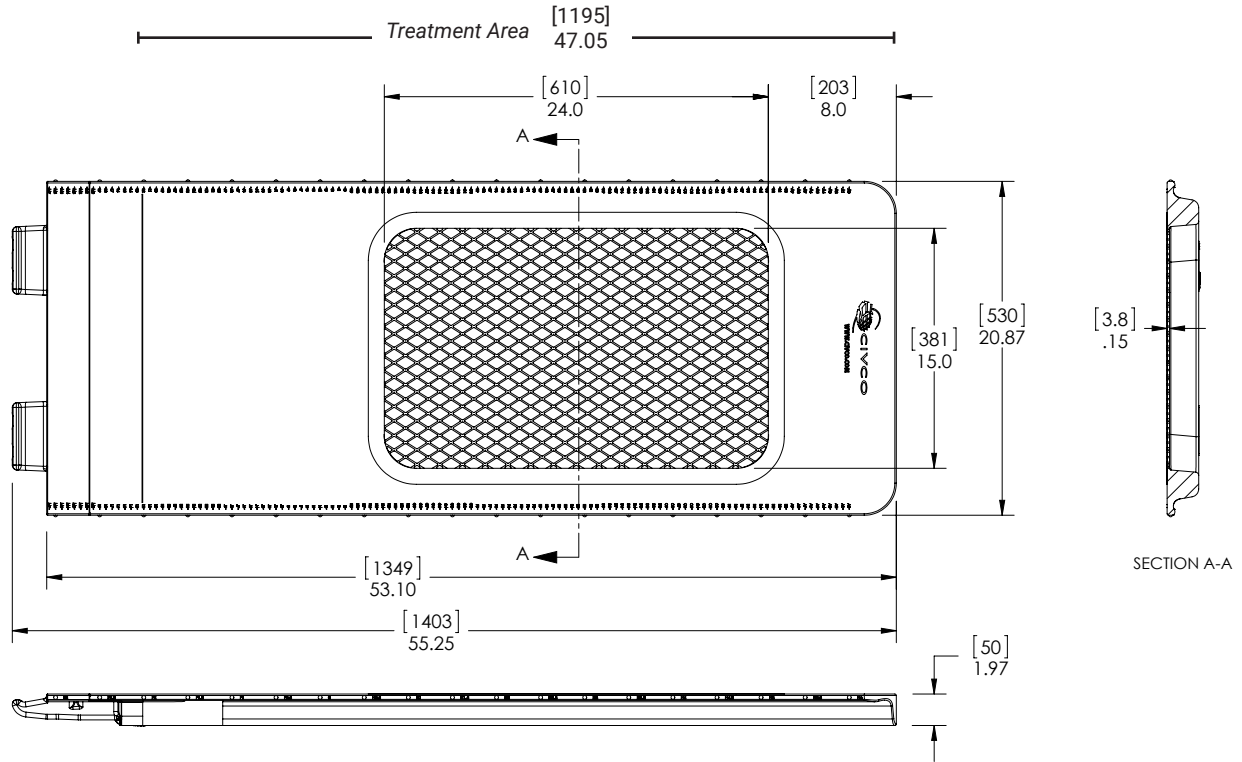
Dimensions (mm) 1403 L x 530 W x 50 H

Technical Drawing



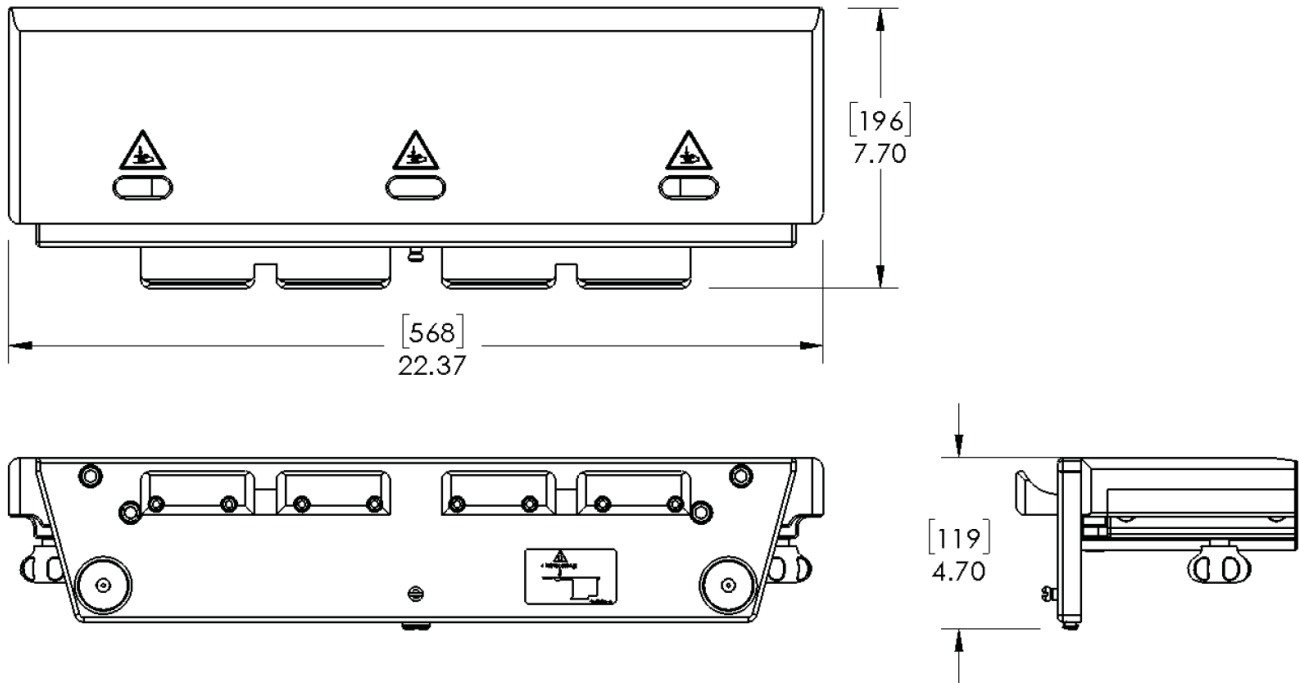
Product Name	Grid Extension
Product Number	MTIL6663
Primary Materials	Carbon Fiber Composite, Aluminum
Weight (approx)	7.2 kg / 16 lbs
Dimensions (mm)	1403 L x 530 W x 50 H

Technical Drawing



Product Name	Interface Sleeve for Varian
Product Number	MTIL6612
Primary Materials	Aluminum
Weight (approx)	8.5 kg / 18.75 lbs
Dimensions (mm)	196 L x 568 W x 119 H

Technical Drawing



Technical Details

Extension & Part Number(s)	Location	Aluminum Equivalency (100kV)	Water Equivalency (6MV)	Extension Thickness	Attenuation (6MV) Transmission (10 x 10)
Type-S™ Extension MTIL6670	Center of Thick Area	0.87 mm	8.2 mm	5.0 cm	2.8
	Center of Thin Area	0.71 mm	7.0 mm	2.2 cm	2.1
	Grid Area	0.20 mm	2.3 mm	0.3 cm	0.9
Posifix® Extension MTIL6672	Center of Thick Area	0.88 mm	8.0 mm	5.0 cm	2.7
	Center of Thin Area	0.64 mm	6.7 mm	2.0 cm	2.2
	Head Support Area	0.56 mm	5.8 mm	0.7 cm	1.7
Posifix Extension for trUpoint ARCH™ MTIL6671	Center of Thick Area	1.00 mm	8.1 mm	5.0 cm	2.7
	Center of Thin Area	0.92 mm	6.6 mm	2.0 cm	2.1
	Head Support Area	0.77 mm	5.9 mm	0.7 cm	1.7
Rectangular Extension MTIL6660	Center of Extension	0.86 mm	8.1 mm	5.0 cm	2.7
Rectangular Extension w/ Wires MTIL6661	Center of Extension	1.06 mm	8.0 mm	5.0 cm	2.8
Rectangular Extension Kevlar MTIL6662	Center of Extension	1.00 mm	8.1 mm	5.0 cm	2.8
Rectangular Extension Grid MTIL6663	Center of Extension Inferior of Grid	1.28 mm	9.7 mm	5.0 cm	3.4
	Grid Area	0.32 mm	2.2 mm	0.4 cm	0.2

Performance Specifications are for reference only, values may vary based on setup and equipment.

Packaging

Unit Pack	1 Piece
Units / Box	1 Piece
Shelf Life	Not Applicable
Warranty	See CIVCO website for Product Warranty Statement
Sterilization	Non-Sterile
Launch Date	July 2017

Global Sales Office

Orange City, Iowa, USA
800.842.8688 | +1 712.737.8688

info@CivcoRT.com
www.CivcoRT.com

