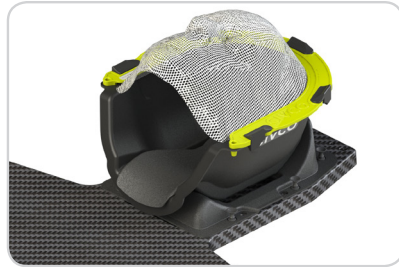
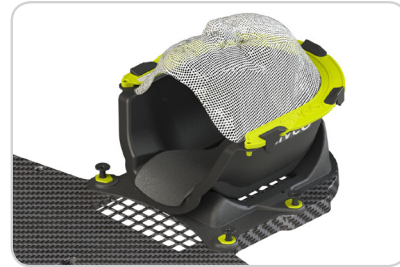


Solstat™ Immobilization System

CIVCO Technical Data Sheet



Posifix®



Type-S™

Product Name	Solstat Immobilization System	
Product Number	CHS05	Solstat, Posifix
	CHS06	Solstat, Type-S
General Description	The Solstice system is comprised of a rigid head support, customizable cushion or non-custom headrest and a dedicated thermoplastic designed for secure and simple attachment. These components create a highly customizable, comfortable and rigid setup for accurate head and neck treatments.	
Indications for use	The device is indicated to position and/or immobilize adult and pediatric patients undergoing radiation therapy of the head, brain, and neck, including Surface Guided Radiation Therapy (SGRT) and electron, photon, and proton treatments. The device is also used during image acquisition, including Computed Tomography (CT), and Magnetic Resonance (MR) Imaging, to support treatment planning.	
MRI Compatible	Yes	
Integration	For use with Posifix or Type-S extensions, baseplates and overlays	
CE Marked (EU DOC)	Yes	
Other Country Registrations	Available upon request	
Country of Manufacture	USA	

Technical Details

Primary Materials

Bowl: Kydex-T
Base: Kydex-T

Weight (approx)

Posifix®: 1.1 lbs (0.5 kg)
Type-S™: 1.2 lbs (0.54 kg)

Dimensions (mm)

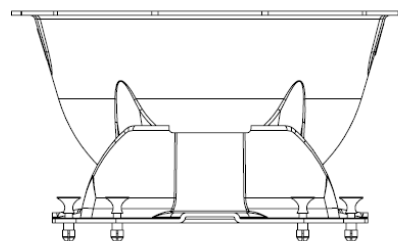
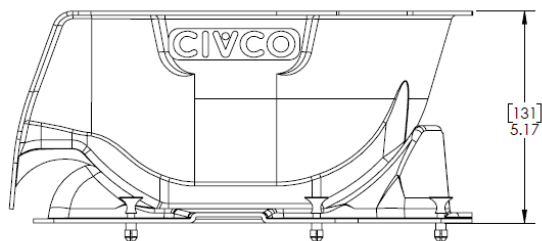
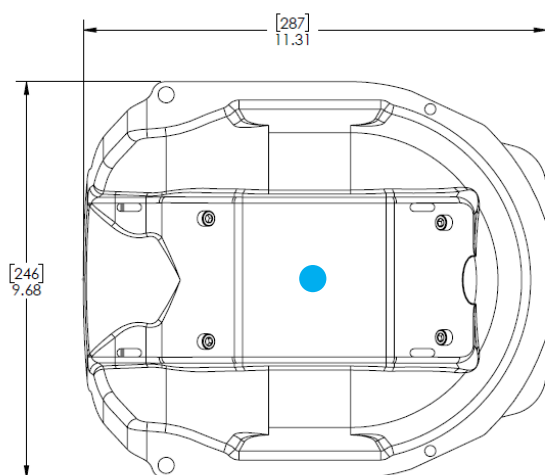
Posifix: 287 L x 246 W x 131 H (max)
Type-S: 320 L x 263 W x 131 H (max)

Dosimetric Properties

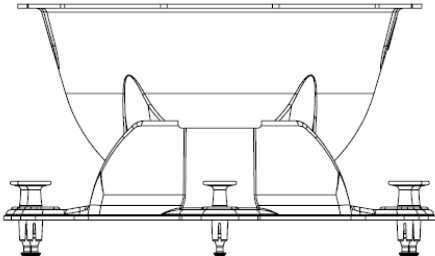
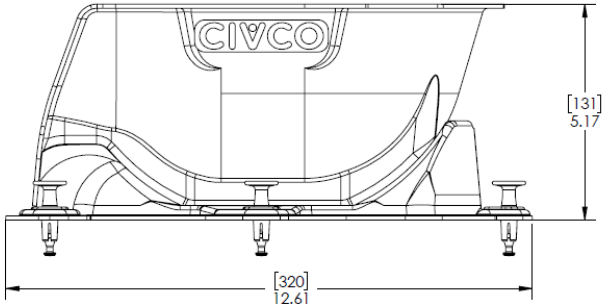
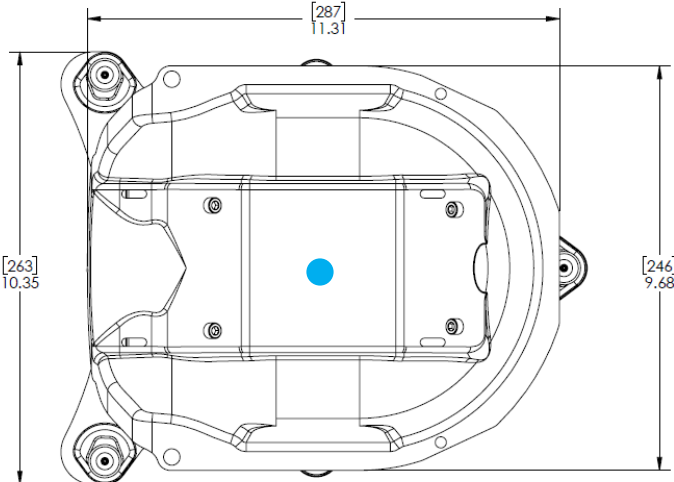
Location	Transmission	Attenuation 6 (MV)	Attenuation 18 (MV)
Bottom of bowl base ●	8 cm x 8 cm	1.55%	1.15%

Performance Specifications are for reference only, values may vary based on setup and equipment.

Technical Drawing (CHS05)



Technical Drawing (CHS06)



Packaging

Unit Pack	Each
Units / Box	One
Shelf Life	n/a
Warranty	See CIVCO website for Product Warranty Statement
Sterilization	Non-Sterile
Launch Date	September 2018

Accessories

System Customization

Thermoplastic

MTAPCID1832 Solstice™ Thermoplastic IMRT Reinforced Style 18

MTAPCIN1832 Solstice Thermoplastic IMRT Reinforced Style 18, Narrow

MTAPCID1832SG Solstice Thermoplastic ClearVision™

MTAPCIN1832SG Solstice Thermoplastic ClearVision, Narrow

AccuForm™ Cushions

MTACL2035 20 x 35 cm Chamfered

MTACL2035HF 20 x 35 cm Chamfered Half Fill

Headrests

CHS40K Headrest Kit (includes B,C & F), Qty 3

CHS40 Headrest B, Qty 1

CHS41 Headrest C, Qty 1

CHS42 Headrest F, Qty 1

Precise Bite™

MTCBPBITE Standard, Qty 5

MTCBPBITES Small, Qty 5

MTCBPBITETD Standard with Tongue Depressor, Qty 5

MTCBPBITETDS Small with Tonue Depressor, Qty 5

Global Sales Office

Orange City, Iowa, USA
800.842.8688 | +1 712.737.8688

info@CivcoRT.com
www.CivcoRT.com

