

# Respiratory Plate

CIVCO Technical Data Sheet

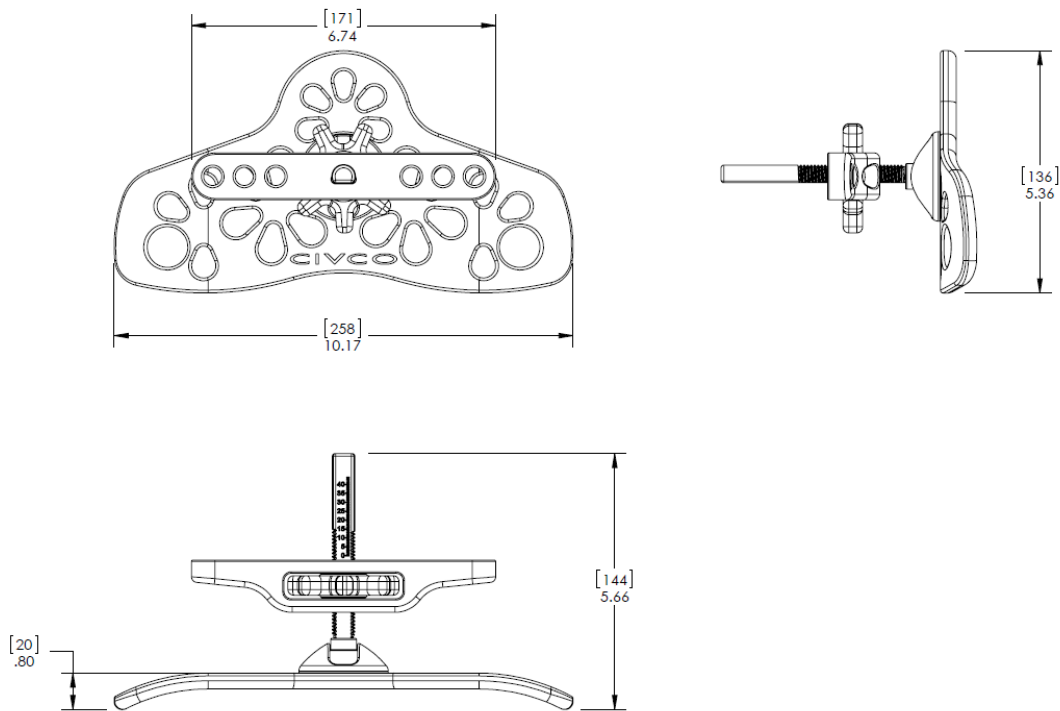


<b>Product Name</b>	Wide Respiratory Plate	Standard Respiratory Plate
<b>Product Number</b>	BPL008	MTSBRT003
<b>Kits that include this product</b>	BPL120	BPL100, BPL110, BPLONEUPG, BPLONEUPG2, BPLONEUPG3, MTSBRT001, MTSBRT001L, MTSBRT320, MTSBRT400K, MTSBRT410K, MTSBRT420K, MTSBRT310, MTSBRT300, MTSBRT360, MTSBRT350
<b>General Description</b>	When attached to a Body Pro-Lok™ Bridge or ONEBridge™, the Standard Respiratory Plate and Wide Respiratory Plate place pressure at the level of the diaphragm to assist in restricting respiratory movement the influences tumor movement.	
<b>Indications for use</b>	Lung and Abdominal Stereotactic Radiation Body Therapy (SBRT)	
<b>MRI Compatible</b>	Yes	
<b>Integration</b>	Body Pro-Lok Bridges and ONEBridge	
<b>FDA Clearance</b>	Yes	
<b>CE Marked (EU DOC)</b>	Yes	
<b>Other Country Registrations</b>	Available upon request	

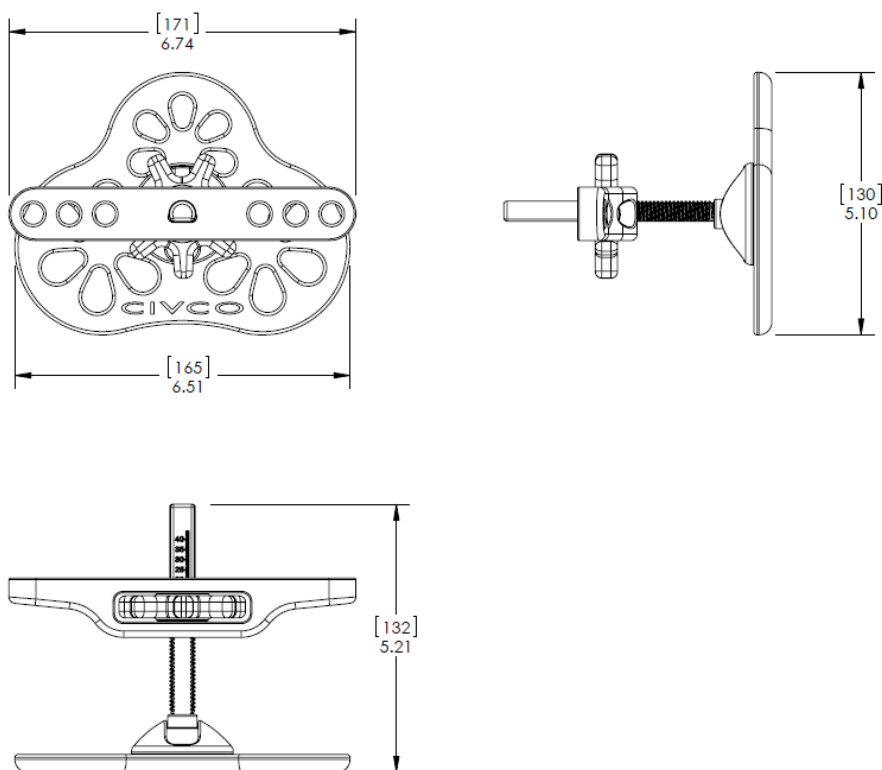
# Technical Details

	Wide Respiratory Plate	Standard Respiratory Plate
<b>Primary Materials</b>	Black Acetal, Black G10	Black Acetal, Black G10
<b>Weight (approx)</b>	0.7 lbs (0.32kg)	0.8 lbs (0.36kg)
<b>Dimensions (mm)</b>	258 L x 144 W x 136 H (max)	171 L x 132 W x 130 H
<b>Country of Manufacture</b>	USA	USA

## Technical Drawing - BPL008



## Technical Drawing - MTSBRT003



## Packaging

	Wide Respiratory Plate	Standard Respiratory Plate
<b>Unit Pack</b>	1 Piece	1 Piece
<b>Units / Box</b>	1 Piece	1 Piece
<b>Shelf Life</b>	n/a	n/a
<b>Warranty</b>	<a href="#">See CIVCO website for Product Warranty Statement</a>	
<b>Sterilization</b>	Non-sterile	Non-sterile
<b>Launch Date</b>	December 2016	2008

## Accessories

	Wide Respiratory Plate	Standard Respiratory Plate
<b>System Customization</b>	ComfortCare™ Cushion BPL007	n/a

Global Sales Office  
 Orange City, Iowa, USA  
 800.842.8688 | +1 712.737.8688

info@civco.com  
 www.civco.com

**CIVCO**<sup>®</sup>  
 Radiotherapy

COPYRIGHT © 2016, CIVCO IS A REGISTERED TRADEMARK OF CIVCO MEDICAL SOLUTIONS. BODY PRO-LOK AND ONEBRIDGE ARE ALL TRADEMARKS OF CIVCO. ALL OTHER TRADEMARKS ARE PROPERTY OF THEIR RESPECTIVE OWNERS. ALL PRODUCTS MAY NOT BE LICENSED IN ACCORDANCE WITH CANADIAN LAW. 2015C1080 REV. A