

AccuForm™ Cushions

CIVCO Technical Data Sheet

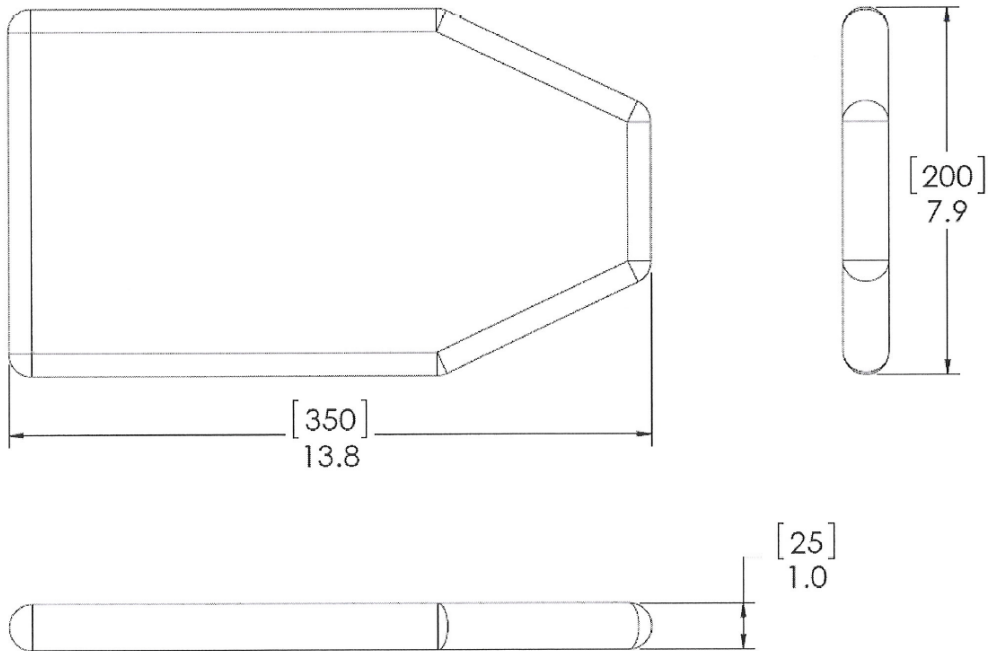


Product Name	AccuForm Cushions		
Product Number	MTACL1520, MTACL14242, MTACL2035, MTACL2035HF, MTACL2045, MTACLTYPES1, MTACL4060, MTACL6060		
General Description	AccuForm Cushions are ideal for high-precision head and neck treatments when enhanced comfort, stability and repositioning accuracy are key.		
Indications for use	The device is indicated to aid in supporting, positioning, and/or immobilization of adult and pediatric patients undergoing radiation therapy of the head, brain, neck and spine including radiosurgery and electron, photon, and proton treatments. The device is also used during image acquisition to support treatment planning.		
MRI Compatible	Yes		
Integration	2 and 3-Pin Indexable to Couchtop		
Dosimetric Properties	Location	Location thickness	Proton water equivalency R80
	Center	21 mm	2.5 mm
	Performance Specifications are for reference only, values may vary based on setup and equipment.		
FDA Clearance	Yes		
CE Marked (EU DOC)	Yes		
Other Country Registrations	Available upon request		
Country of Manufacture	USA		

Technical Details

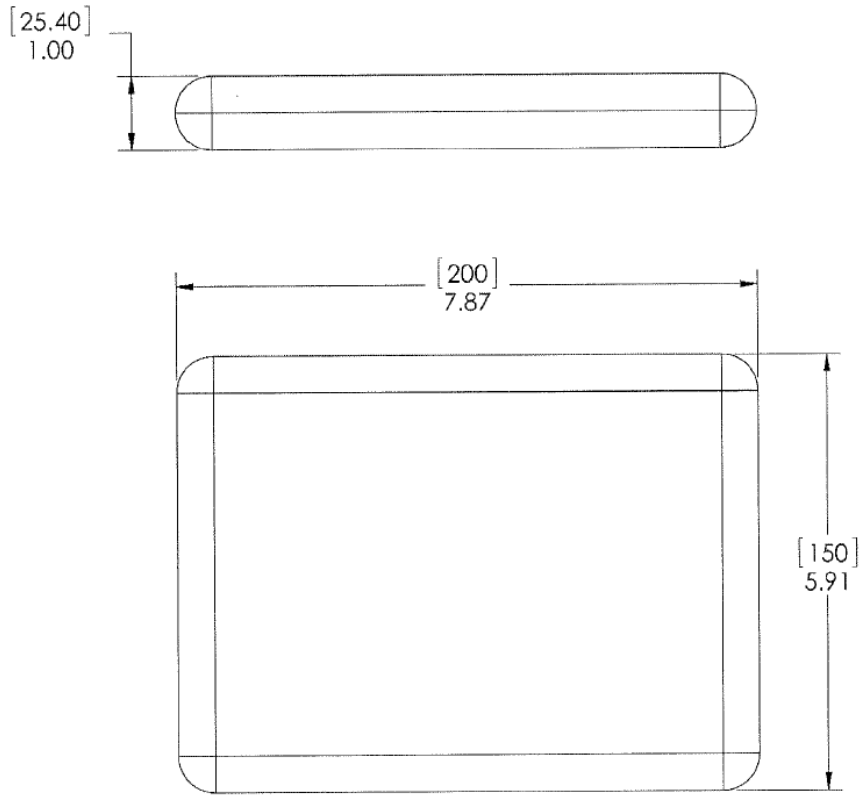
Product Number	MTACL2035
Primary Materials	Polypropylene, Polystyrene Bead, Hydraulic Urethane Resin
Weight (approx)	0.23 kg / 0.5 lbs
Dimensions (mm)	350 L x 200 W x 25 H

Technical Drawing



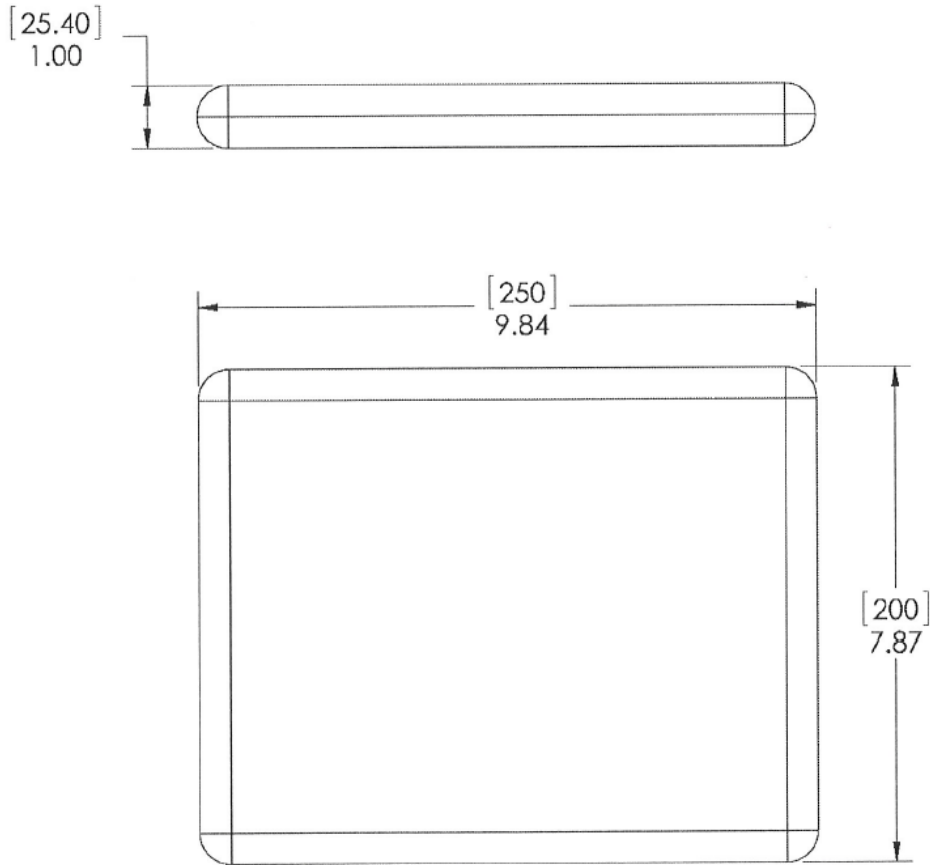
Product Number	MTACL1520
Primary Materials	Polypropylene, Polystyrene Bead, Hydraulic Urethane Resin
Weight (approx)	0.11 kg / 0.25 lbs
Dimensions (mm)	200 L x 150 W x 25.4 H

Technical Drawing



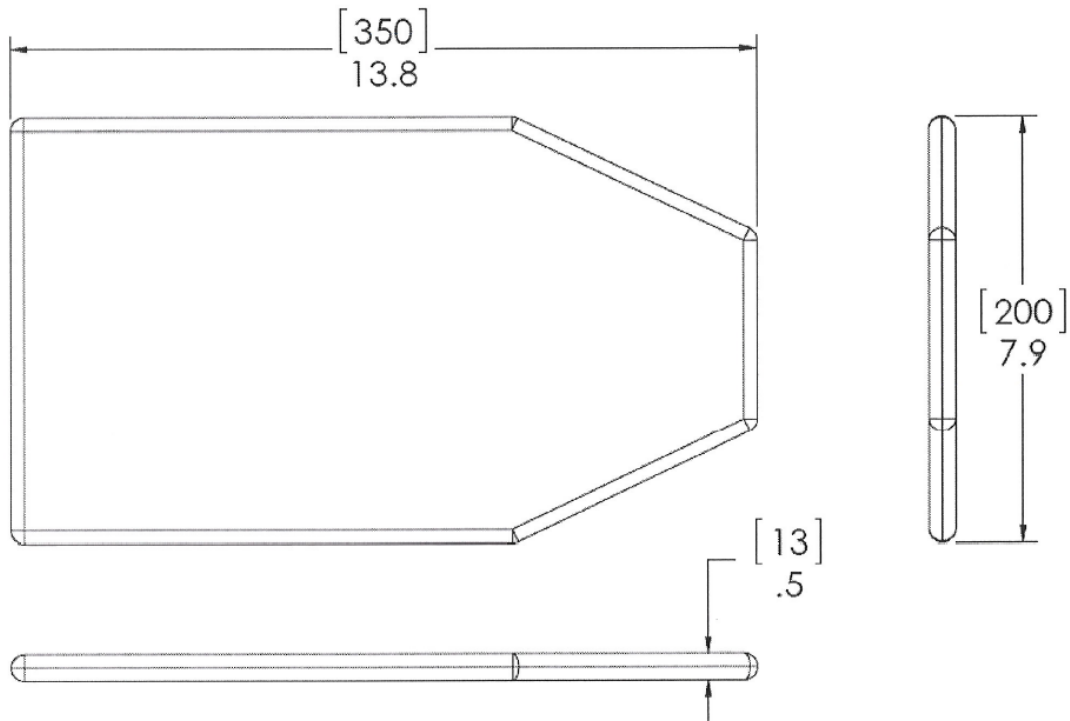
Product Number	MTACL14242
Primary Materials	Polypropylene, Polystyrene Bead, Hydraulic Urethane Resin
Weight (approx)	0.20 kg / 0.45 lbs
Dimensions (mm)	250 L x 200 W x 25.4 H

Technical Drawing



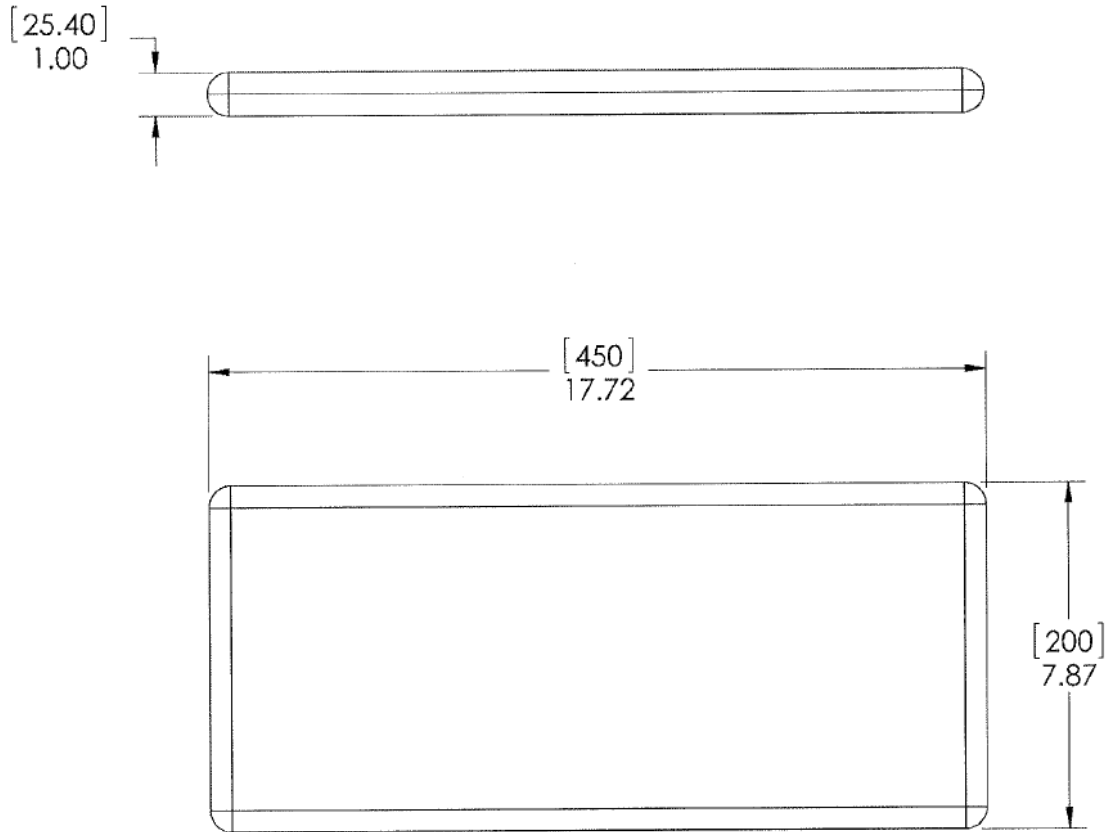
Product Number	MTACL2035HF
Primary Materials	Polypropylene, Polystyrene Bead, Hydraulic Urethane Resin
Weight (approx)	0.16 kg / 0.35 lbs
Dimensions (mm)	350 L x 200 W x 13 H

Technical Drawing



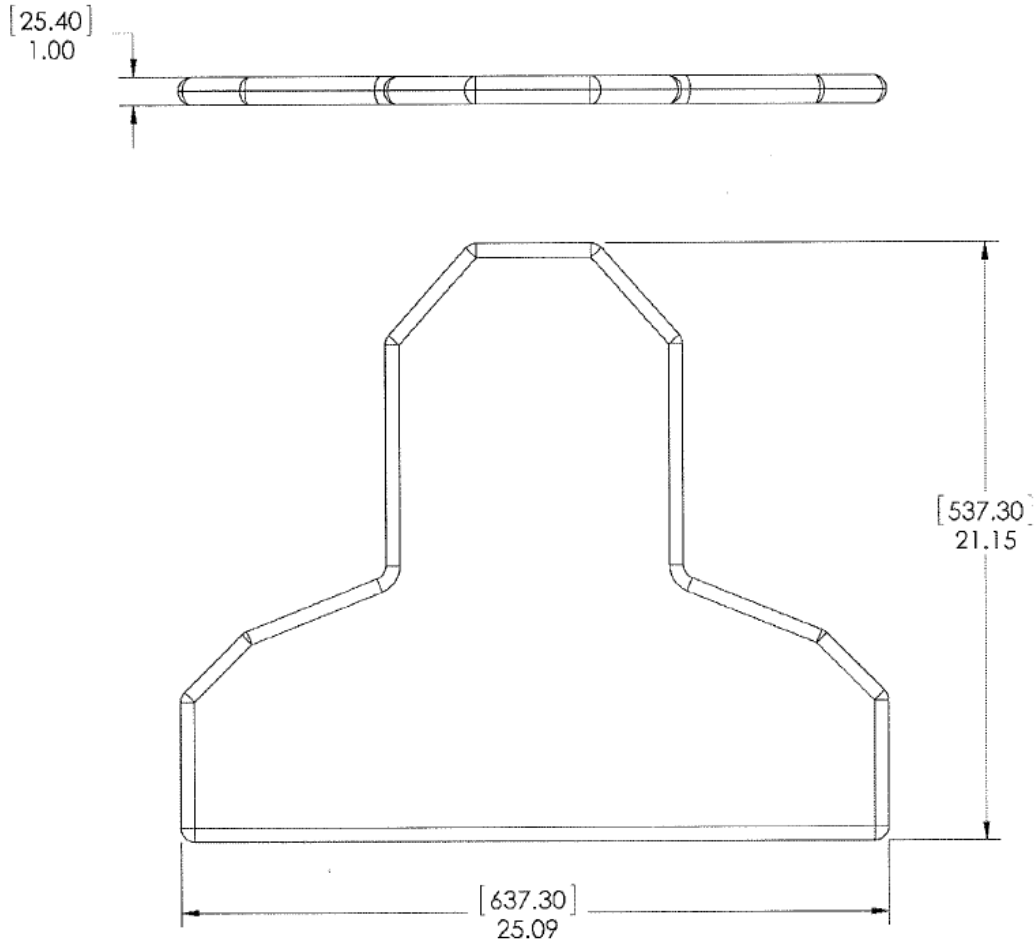
Product Number	MTACL2045
Primary Materials	Polypropylene, Polystyrene Bead, Hydraulic Urethane Resin
Weight (approx)	0.41 kg / 0.90 lbs
Dimensions (mm)	450 L x 200 W x 25.4 H

Technical Drawing



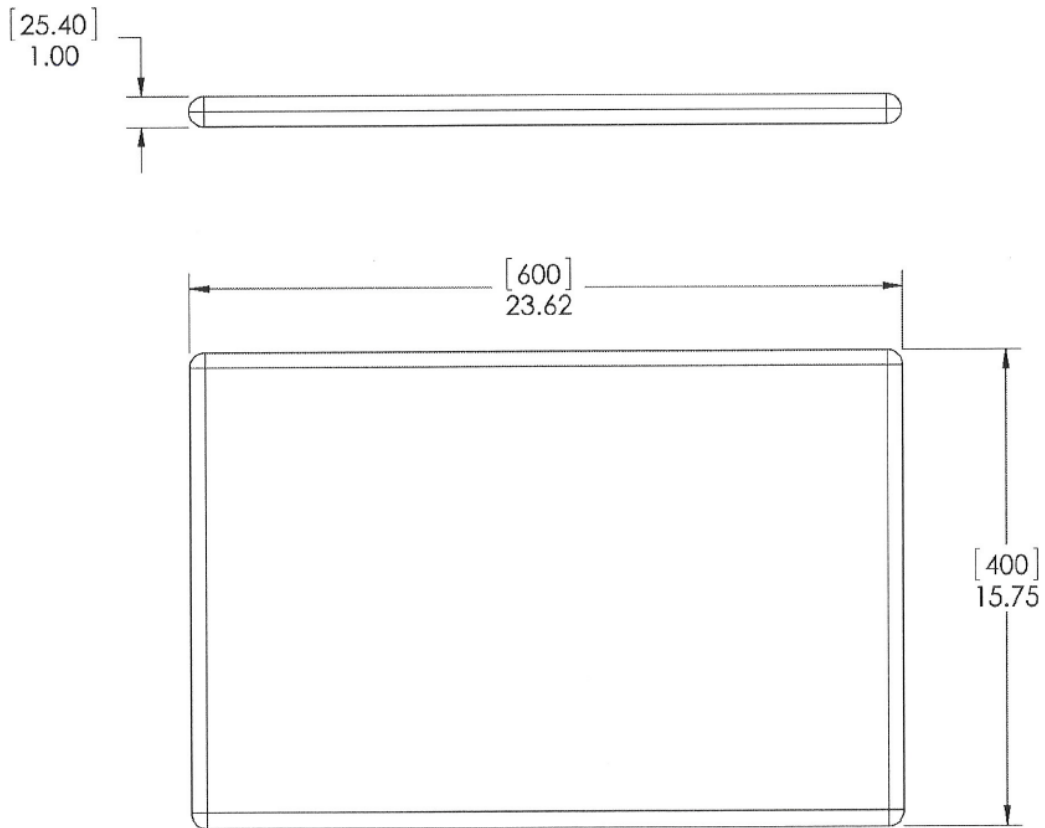
Product Number	MTACLYPES1
Primary Materials	Polypropylene, Polystyrene Bead, Hydraulic Urethane Resin
Weight (approx)	0.68 kg / 1.50 lbs
Dimensions (mm)	537.3 L x 637.3 W x 25.4 H

Technical Drawing



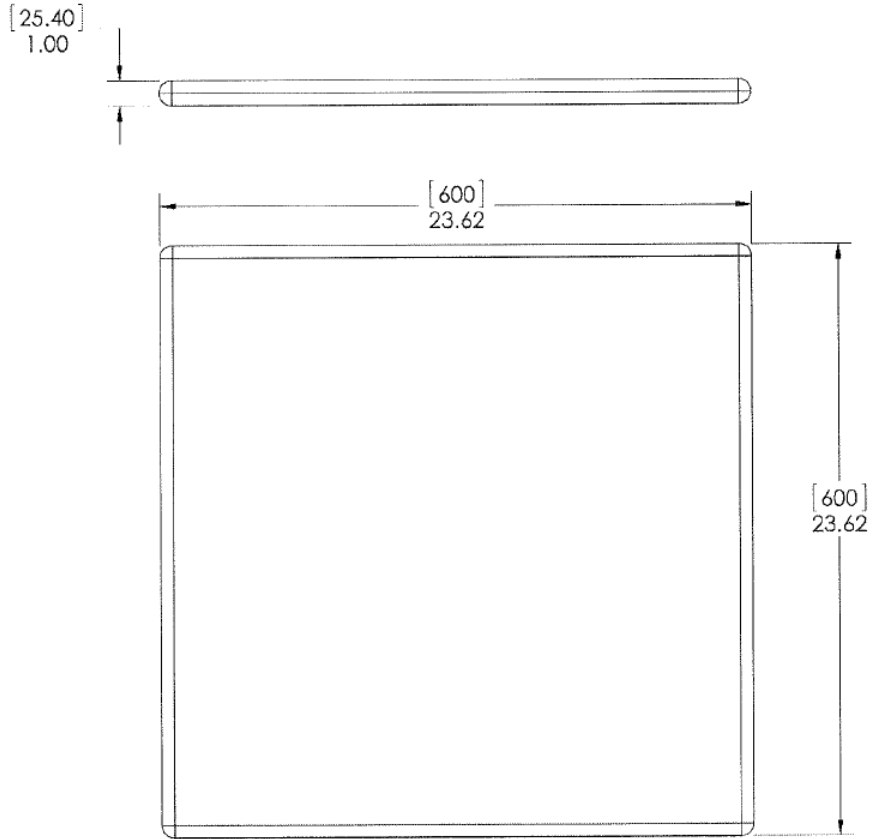
Product Number	MTACL4060
Primary Materials	Polypropylene, Polystyrene Bead, Hydraulic Urethane Resin
Weight (approx)	1.20 kg / 2.65 lbs
Dimensions (mm)	600 L x 400 W x 25.4 H

Technical Drawing



Product Number	MTACL6060
Primary Materials	Polypropylene, Polystyrene Bead, Hydraulic Urethane Resin
Weight (approx)	1.81 kg / 4.0 lbs
Dimensions (mm)	600 L x 600 W x 25.4 H

Technical Drawing



Packaging

Unit Pack	Each
Units / Box	One device - may have several component parts in box
Shelf Life	n/a
Warranty	See CIVCO website for Product Warranty Statement
Sterilization	Non-Sterile

Global Sales Office

Orange City, Iowa, USA
800.842.8688 | +1 712.737.8688

info@CivcoRT.com
www.CivcoRT.com

